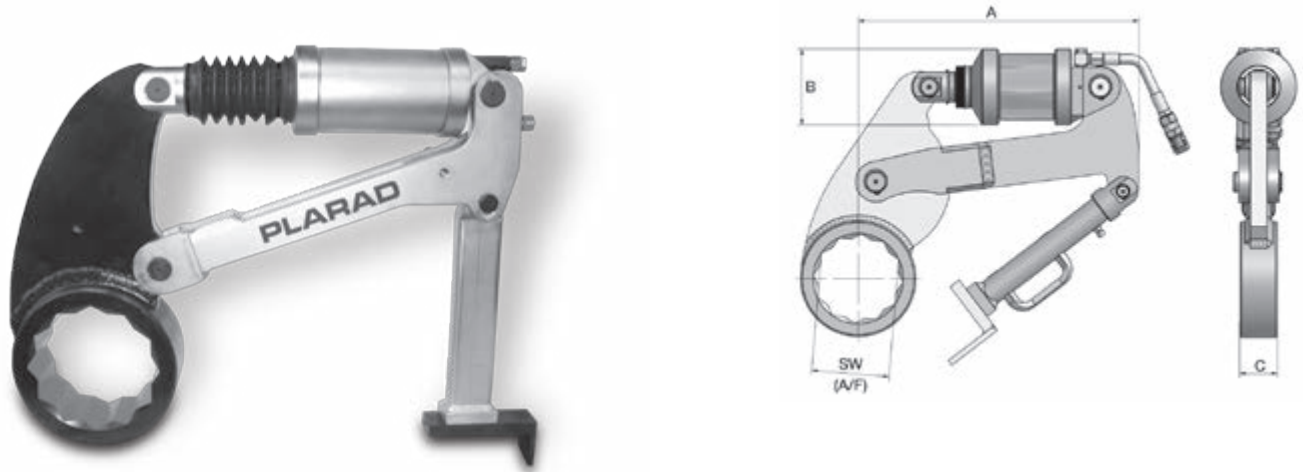


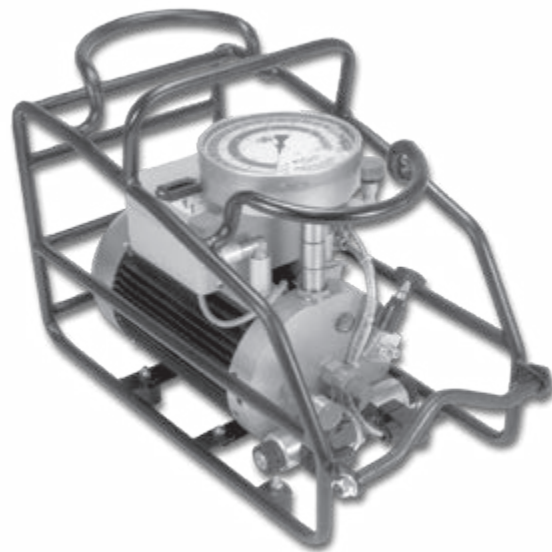
Hydraulische Drehmomentschrauber HPR

Hydraulic Torque Wrenches HPR



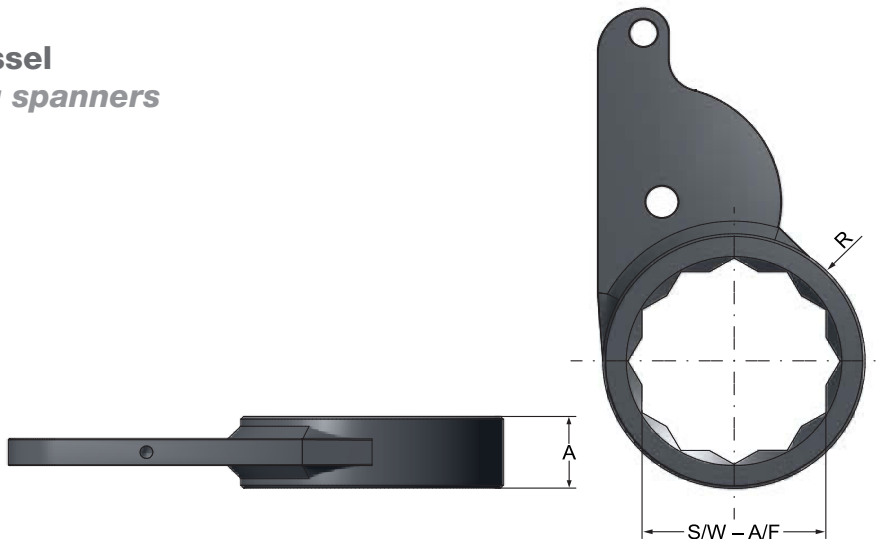
Antriebseinheit <i>Drive units</i>	Drehmomentbereich <i>Torque range</i>	SW max.	A/F max.	A	B	C	Gewicht <i>Weight</i>
RE 500	5.000 - 50.000 Nm	185 mm	7 1/4"	550 mm	132 mm	550 mm	34 kg
RE 1000	10.000 - 100.000 Nm	230 mm	9 1/8"	600 mm	180 mm	600 mm	45 kg
RE 1500	15.000 - 150.000 Nm	320 mm	12"	825 mm	320 mm	560 mm	76 kg

CTK 3.5 EFS



Typ <i>Type</i>	Betriebsart <i>Operation mode</i>	Förderstufen <i>Flow stages</i>	Abmessungen L x B x H <i>Dimensions</i> l x w x h (mm)	Gewicht <i>Weight</i> (kg)	Betriebsdruck <i>Operating pressure</i> max. (bar)	Antrieb <i>Drive</i>	Antriebsleistung <i>Nominal power</i> (kW)	Fördervolumen <i>Flow rate</i> (l/min)
CTK 3,5-EFS	manuell <i>manual</i>	1	500 x 343 x 465	35	350	elektrisch Drehstrom <i>electrical three phase current</i> 3 AC 400 V, 50 Hz	2,2	3,5

Ringschlüssel Ring spanners



RE 500

Code Nr. Code no.	S/W A/F (mm)	R (mm)	A (mm)	Mt max. Max. capacity (Nm)
F94-007-8-100.00	100	78,5	50	35.000
F94-007-8-105.00	105	81,5	55	40.000
F94-007-8-110.00	110	84,5	55	42.500
F94-007-8-115.00	115	88	60	50.000
F94-007-8-120.00	120	91	60	50.000
F94-007-8-125.00	125	94	65	50.000
F94-007-8-130.00	130	97,5	65	50.000
F94-007-8-135.00	135	100,5	65	50.000
F94-007-8-140.00	140	103,5	70	50.000
F94-007-8-145.00	145	106,5	70	50.000
F94-007-8-150.00	150	110	70	50.000
F94-007-8-155.00	155	113	75	50.000
F94-007-8-160.00	160	116	75	50.000
F94-007-8-165.00	165	119	80	50.000
F94-007-8-170.00	170	122,5	80	50.000
F94-007-8-175.00	175	125,5	80	50.000
F94-007-8-180.00	180	128,5	100	50.000
F94-007-8-185.00	185	131,5	105	50.000

Zwischengrößen auf Anfrage/Intermediate sizes on request

RE 500

Code Nr. Code no.	S/W A/F (Zoll / inch)	R (mm)	A (mm)	Mt max. Max. capacity (Nm)
F94-007-8-102.05	4"	79,5	50	35.000
F94-007-8-105.00	4.1/8"	81,5	55	40.000
F94-007-8-106.05	4.3/16"	82	55	40.000
F94-007-8-108.05	4.1/4"	83,5	55	42.500
F94-007-8-111.05	4.3/8"	85	60	50.000
F94-007-8-114.05	4.1/2"	87	60	50.000
F94-007-8-118.05	4.5/8"	90	60	50.000
F94-007-8-121.05	4.3/4"	91,5	60	50.000
F94-007-8-124.05	4.7/8"	93,5	65	50.000
F94-007-8-127.05	5"	95	65	50.000
F94-007-8-130.05	5.1/8"	97	65	50.000
F94-007-8-132.05	5.3/16"	98,5	65	50.000
F94-007-8-133.05	5.1/4"	99	65	50.000
F94-007-8-137.05	5.3/8"	101,5	70	50.000
F94-007-8-140.05	5.1/2"	103,5	70	50.000
F94-007-8-141.05	5.9/16"	104	70	50.000
F94-007-8-146.05	5.3/4"	107	70	50.000
F94-007-8-149.05	5.7/8"	109	70	50.000
F94-007-8-152.05	6"	111	75	50.000
F94-007-8-156.05	6.1/8"	113,5	75	50.000
F94-007-8-159.05	6.1/4"	115	75	50.000
F94-007-8-162.05	6.3/8"	117	80	50.000
F94-007-8-165.00	6.1/2"	119	80	50.000
F94-007-8-172.05	6.3/4"	123,5	80	50.000
F94-007-8-175.05	6.7/8"	125	80	50.000
F94-007-8-178.05	7"	125	100	50.000
F94-007-8-181.05	7.1/8"	129	100	50.000
F94-007-8-184.05	7.1/4"	131	105	50.000

Zwischengrößen auf Anfrage/Intermediate sizes on request

RE 1000

Code Nr. Code no.	S/W A/F (mm)	R (mm)	A (mm)	Mt max. Max. capacity (Nm)
F94-008-8-145.00	145	110,5	70	82.000
F94-008-8-150.00	150	114	70	84.500
F94-008-8-155.00	155	119	75	95.000
F94-008-8-160.00	160	120	75	98.000
F94-008-8-165.00	165	123	75	100.000
F94-008-8-170.00	170	126,5	80	100.000
F94-008-8-175.00	175	129,5	80	100.000
F94-008-8-180.00	180	132,5	100	100.000
F94-008-8-185.00	185	135,5	105	100.000
F94-008-8-190.00	190	139	105	100.000
F94-008-8-195.00	195	142	110	100.000
F94-008-8-200.00	200	145	110	100.000
F94-008-8-205.00	205	148	115	100.000
F94-008-8-210.00	210	151,5	115	100.000
F94-008-8-215.00	215	154,5	120	100.000
F94-008-8-220.00	220	157,5	120	100.000
F94-008-8-225.00	225	160,5	125	100.000
F94-008-8-230.00	230	164	125	100.000

RE 1000

Code Nr. Code no.	S/W A/F (Zoll / inch)	R (mm)	A (mm)	Mt max. Max. capacity (Nm)
F94-008-8-146.05	5.3/4"	111	70	82.000
F94-008-8-149.05	5.7/8"	113	70	84.500
F94-008-8-152.05	6"	115	75	93.000
F94-008-8-156.05	6.1/8"	117,5	75	97.000
F94-008-8-159.05	6.1/4"	119	75	97.000
F94-008-8-162.05	6.3/8"	121	75	99.000
F94-008-8-165.00	6.1/2"	123	75	100.000
F94-008-8-172.05	6.3/4"	127,5	80	100.000
F94-008-8-175.05	6.7/8"	129	80	100.000
F94-008-8-178.05	7"	131	100	100.000
F94-008-8-181.05	7.1/8"	133	100	100.000
F94-008-8-184.05	7.1/4"	135	105	100.000
F94-008-8-186.05	7.5/16"	136	105	100.000
F94-008-8-191.05	7.1/2"	139	105	100.000
F94-008-8-194.05	7.5/8"	141	110	100.000
F94-008-8-198.05	7.13/16"	144	110	100.000
F94-008-8-213.05	8.3/8"	153	120	100.000
F94-008-8-225.05	8.7/8"	161	125	100.000
F94-008-8-232.05	9.1/8"	165	125	100.000

Zwischengrößen auf Anfrage/Intermediate sizes on request

RE 1500

Code Nr. Code no.	S/W A/F (mm)	R (mm)	A (mm)	Mt max. Max. capacity (Nm)
F94-017-8-180.00	180	135,5	100	150.000
F94-017-8-190.00	190	142	110	150.000
F94-017-8-200.00	200	148	110	150.000
F94-017-8-210.00	210	154	120	150.000
F94-017-8-220.00	220	160,5	120	150.000
F94-017-8-230.00	230	167,5	130	150.000
F94-017-8-240.00	240	173	130	150.000
F94-017-8-250.00	250	180	140	150.000
F94-017-8-260.00	260	185,5	140	150.000
F94-017-8-270.00	270	192	150	150.000
F94-017-8-280.00	280	198	150	150.000
F94-017-8-290.00	290	205	150	150.000
F94-017-8-300.00	300	210,5	150	150.000

RE 1500

Code Nr. Code no.	S/W A/F (Zoll / inch)	R (mm)	A (mm)	Mt max. Max. capacity (Nm)
F94-017-8-181.05	7.1/8"	136	100	150.000
F94-017-8-184.05	7.1/4"	138	110	150.000
F94-017-8-186.05	7.5/16"	139	110	150.000
F94-017-8-191.05	7.1/2"	142	110	150.000
F94-017-8-194.05	7.5/8"	144	110	150.000
F94-017-8-198.05	7.13/16"	147	110	150.000
F94-017-8-213.05	8.3/8"	156	120	150.000
F94-017-8-225.05	8.7/8"	164	120	150.000
F94-017-8-232.05	9.1/8"	168	130	150.000
F94-017-8-240.05	9.7/16"	173	130	150.000
F94-017-8-254.05	10"	182	140	150.000
F94-017-8-267.05	10.1/2"	190	140	150.000
F94-017-8-279.05	11"	197	150	150.000
F94-017-8-292.05	11.1/2"	206	150	150.000
F94-017-8-305.05	12"	214	150	150.000

Zwischengrößen auf Anfrage/Intermediate sizes on request