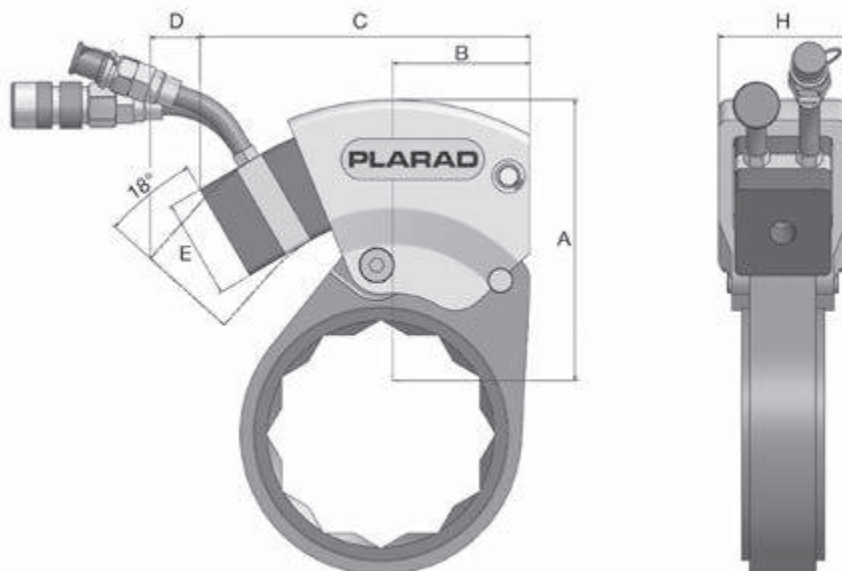


Hydraulische Drehmomentschrauber K

Hydraulic Torque Wrenches K

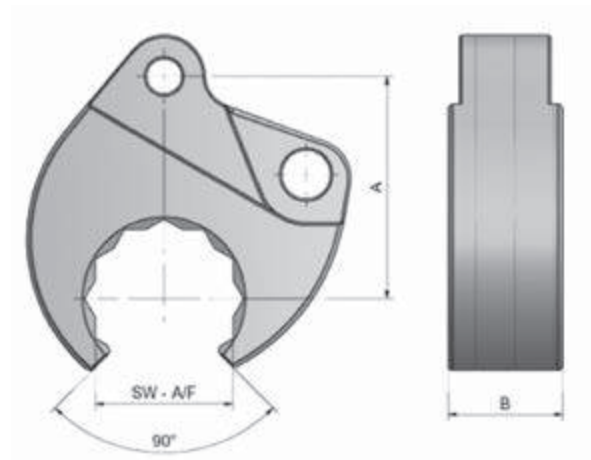


Typ	Schlüsselweiten (mm)	Drehmomentbereich	A	B	C	D	E	H	Gewicht
Type	Width across flat (inch)	Torque range (Nm)	(mm)	(mm)	(mm)	(mm)	(mm)	(mm)	Weight (kg)
K 30 TF	24 - 90 (1.1/4" - 3.1/2")	300 - 3.000	127,5	74	163	21	45	63	4,8
K 60 TF	24 - 90 (1.1/4" - 3.1/2")	660 - 6.600	141,5	67	170	28	56	68	5,7
K 150 TF	27 - 110 (1.7/16" - 3.7/8")	1.100 - 11.000	170,0	83	180	34	60	78	8,6
K 200 TF	60 - 135 (2.3/8" - 4.1/8")	2.000 - 20.000	220,5	120	248,5	45	78	100	18,5
K 300 TF	80 - 150 (3.1/8" - 6")	3.000 - 30.000	272,5	148	295,5	59,5	94	120	30,0



Ringschlüssel offen / open ring spanners

Ringschlüssel offen Open ring spanner K 30 / K 60 Code Nr./Code no	SW A/F	SW A/F	A	B
	mm	inch	mm	mm
F94-013-8-02406	24		75	20
F94-013-8-02706	27		75	20
F94-013-8-03006	30		75	20
F94-013-8-03206	32	1.1/4"	75	20
F94-013-8-03606	36	1.7/16"	75	25
F94-013-8-04106	41	1.5/8"	75	25
F94-013-8-04606	46	1.13/16"	75	25
F94-013-8-05006	50	2"	75	30
F94-013-8-05506	55	2.3/16"	75	30
F94-013-8-06006	60	2.3/8"	75	35
F94-013-8-06506	65	2.9/162"	75	40
F94-013-8-07006	70	2.3/4"	75	40
F94-013-8-07506	75	2.15/16"	100	40
F94-013-8-08006	80	3.1/8"	100	45
F94-013-8-08506	85		100	50
F94-013-8-09006	90	3.1/2"	100	50

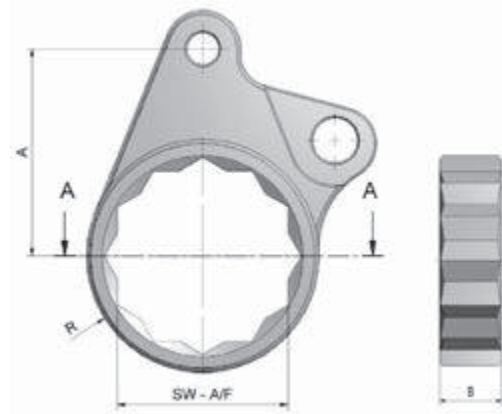


Ringschlüssel offen Open ring spanner K 150 Code Nr./Code no	SW A/F	SW A/F	A	B
	mm	inch	mm	mm
F94-014-8-03201	32		97	20
F94-014-8-03601	36	1.7/16"	97	25
F94-014-8-04101	41	1.5/8"	97	25
F94-014-8-04601	46	1.13/16"	97	25
F94-014-8-05001	50	2"	97	30
F94-014-8-05501	55	2.3/16"	97	30
F94-014-8-06001	60	2.3/8"	97	35
F94-014-8-06501	65	2.9/16"	97	40
F94-014-8-07001	70	2.3/4"	97	40
F94-014-8-07501	75	2.15/16"	97	45
F94-014-8-08001	80	3.1/8"	97	45
F94-014-8-08501	85		97	45
F94-014-8-09001	90	3.1/2"	102	45
F94-014-8-09501	95		106	50
F94-014-8-10001	100	3.7/8"	110	50
F94-014-8-11001	110		118	55

Ringschlüssel offen Open ring spanner K 200 Code Nr./Code no	SW A/F	SW A/F	A	B
	mm	inch	mm	mm
F94-015-8-06002	60	2.3/8"	200,3	35
F94-015-8-06502	65	2.9/162"	200,3	40
F94-015-8-07002	70	2.3/4"	200,3	40
F94-015-8-07502	75	2.15/16"	200,3	45
F94-015-8-08002	80	3.1/8"	200,3	45
F94-015-8-08502	85		200,3	45
F94-015-8-09002	90	3.1/2"	200,3	45
F94-015-8-09502	95		200,3	50
F94-015-8-10002	100	3.7/8"	200,3	50
F94-015-8-10502	105	4.1/8"	200,3	55
F94-015-8-11002	110		200,3	55
F94-015-8-11502	115		200,3	60
F94-015-8-12002	120		200,3	60
F94-015-8-12502	125		200,3	65
F94-015-8-13002	130		200,3	65
F94-015-8-13502	135		200,3	65

Ringschlüssel / ring spanners

Ringschlüssel Ring spanner K 30 / K 60	SW A/F	R	A	B	Mt max
Code Nr./Code no	mm	mm	mm	mm	Nm
F94-013-8-02700	27	25,0	75	20	1.900
F94-013-8-03000	30	26,5	75	20	2.000
F94-013-8-03200	32	29,0	75	20	2.500
F94-013-8-03600	36	31,5	75	25	3.500
F94-013-8-04100	41	35,0	75	25	4.150
F94-013-8-04600	46	37,5	75	25	5.000
F94-013-8-05000	50	40,0	75	30	5.750
F94-013-8-05500	55	43,0	75	30	6.000
F94-013-8-06000	60	46,5	75	35	6.000
F94-013-8-06500	65	49,5	75	40	6.000
F94-013-8-07000	70	52,5	75	40	6.000
F94-013-8-07500	75	55,5	100	40	6.000
F94-013-8-08000	80	59,0	100	40	6.000
F94-013-8-08500	85	62,0	100	40	6.000
F94-013-8-09000	90	65,0	100	40	6.000



Ringschlüssel Ring spanner K 30 / K 60	SW A/F	R	A	B	Mt max
Code Nr./Code no	inch	mm	mm	mm	Nm
F94-013-8-02900	1.1/8"	27,0	75	20	2.300
F94-013-8-03201	1.1/4"	29,0	75	20	2.500
F94-013-8-03800	1.1/2"	33,0	75	25	3.800
F94-013-8-04800	1.7/8"	39,0	75	30	5.750
F94-013-8-05600	2.3/16"	43,5	75	30	6.000
F94-013-8-05700	2.1/4"	28,6	75	30	6.000
F94-013-8-07001	2.3/4"	35,0	75	40	6.000

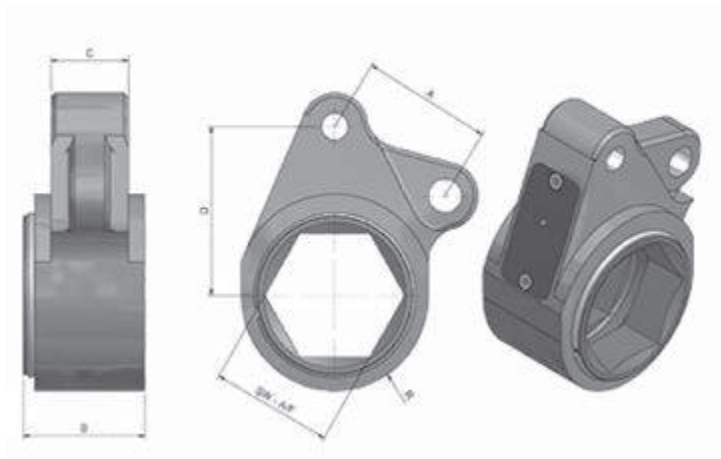
Ringschlüssel Ring spanner K 150	SW A/F	R	A	B	Mt max
Code Nr./Code no	mm	mm	mm	mm	Nm
F94-014-8-03200	32	29,0	97	20	2.500
F94-014-8-03600	36	31,5	97	25	3.500
F94-014-8-04100	41	35,0	97	25	4.150
F94-014-8-04600	46	37,5	97	25	5.000
F94-014-8-05000	50	40,0	97	30	5.750
F94-014-8-05500	55	43,0	97	30	6.300
F94-014-8-06000	60	46,5	97	35	8.400
F94-014-8-06500	65	49,5	97	40	10.000
F94-014-8-07000	70	52,5	97	40	10.000
F94-014-8-07500	75	56,0	97	45	10.000
F94-014-8-08000	80	59,0	97	45	10.000
F94-014-8-08500	85	62,0	97	45	10.000
F94-014-8-09000	90	65,5	102	45	10.000
F94-014-8-09500	95	68,5	106	50	10.000
F94-014-8-10000	100	71,5	110	50	10.000
F94-014-8-11000	110	78,0	118	55	10.000

Ringschlüssel Ring spanner K 150	SW A/F	R	A	B	Mt max
Code Nr./Code no	inch	mm	mm	mm	Nm
F94-014-8-03300	1.5/16"	29,5	97	25	2.500
F94-014-8-03800	1.1/2"	32,5	97	25	3.500
F94-014-8-04300	1.11/16"	36,0	97	25	4.250
F94-014-8-04600	1.3/4"	37,5	97	25	5.000
F94-014-8-05400	2.1/8"	42,5	97	30	6.300
F94-014-8-05700	2.1/4"	44,5	97	35	8.400
F94-014-8-06700	2.5/8"	50,5	97	40	10.000
F94-014-8-07100	2.13/16"	53,0	97	40	10.000
F94-014-8-07600	3"	56,0	97	45	10.000
F94-014-8-08900	3.1/2"	64,5	102	45	10.000
F94-014-8-09800	3.7/8"	70,0	110	50	10.000
F94-014-8-10200	4"	72,0	120	50	10.000
F94-014-8-10800	4.1/4"	76,0	118	55	10.000

Ringschlüssel / ring spanners

Ringschlüssel Ring spanner K 200	SW A/F	R	A	B	Mt max
Code Nr./Code no	mm	mm	mm	mm	Nm
F94-015-8-07501	75	61	135	45	20.000
F94-015-8-08001	80	64	135	45	20.000
F94-015-8-08501	85	67	135	45	20.000
F94-015-8-11001	110	81	135	55	20.000

Ringschlüssel Ring spanner K 200	SW A/F	R	A	B	Mt max
Code Nr./Code no	inch	mm	mm	mm	Nm
F94-015-8-11801	4.5/8"	81	135	55	20.000

Ratschenköpfe/
Ratchet heads

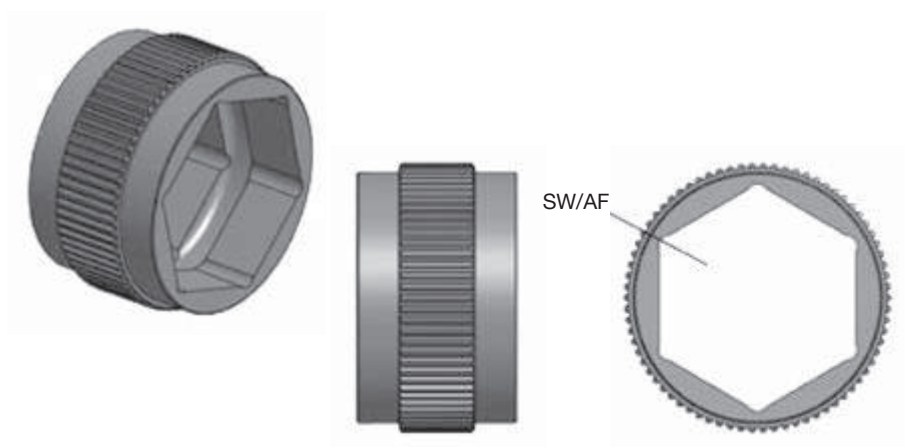
RKW K 30 / K 60	Code Nr. Code no	max. SW max. A/F mm	max. SW max. A/F inch	R	A	B	C	D	Mt max Nm
RKW 341	G07-003-0-00401	41	1.5/8"	35	58,7	55	35	75	2.500
RKW 355	G07-003-0-00501	55	2.3/16"	42,5	58,7	55	35	75	4.200
RKW 370	G07-003-0-00601	70	2.3/4"	56	58,7	55	35	82	6.600
RKW 385	G07-003-0-02301	85	3.1/4"	68	58,7	55	35	96	6.600

RKW K 150	Code Nr. Code no	max. SW max. A/F mm	max. SW max. A/F inch	R	A	B	C	D	Mt max Nm
RKW 1041	G07-011-0-00401	41	1.5/8"	35	75,4	55	40	97	2.500
RKW 1055	G07-011-0-00501	55	2.3/16"	42,5	75,4	55	40	97	4.200
RKW 1070	G07-011-0-00301	70	2.3/4"	56	75,4	55	40	97	8.450
RKW 1085	G07-011-0-00601	85	3.1/4"	68	75,4	55	40	100	11.000
RKW 1100	G07-011-0-00701	100	3.7/8"	77,5	75,4	55	40	105	11.000

Zwischengrößen auf Anfrage/Intermediate sizes on request

RKW K 200	Code Nr. Code no	max. SW max. A/F mm	max. SW max. A/F inch	R	A	B mm	C	D	Mt max Nm
RKW 18090	G07-018-0-01301	90	3"	73	93,3	60	50	130	15.000
RKW 18105	G07-018-0-01401	105	4"	81	93,3	60	50	130	17.000
RKW 18120	G07-018-0-01501	120	4.5/8"	91	93,3	60	50	130	20.000

**Wechseleinsätze/
Exchangeable inserts**



RKW 341	max. SW max. A/F mm	Code Nr. Code no
W 341 H 24 M	24	F07-010-3-25201
W 341 H 27 M	27	F07-010-3-50601
W 341 H 30 M	30	F07-010-3-25301
W 341 H 32 M	32	F07-010-3-03901
W 341 H 35 M	35	F07-010-3-43801
W 341 H 36 M	36	F07-010-3-00101
W 341 H 39 M	39	F07-010-3-51101
W 341 H 40 M	40	F07-011-3-16301
W 341 H 41 M	41	F07-010-3-00201
W 341 H 42 M	42	F07-010-3-19601

RKW 341	max. SW max. A/F inch	Code Nr. Code no
W 341 H 063	5/8"	F07-010-3-56201
W 341 H 081	13/16"	F07-010-3-35301
W 341 H 075	3/4"	F07-010-3-35201
W 341 H 088	7/8"	F07-010-3-35401
W 341 H 094	15/16"	F07-010-3-35501
W 341 H 113	1.1/8"	F07-010-3-48801
W 341 H 181	1.3/16"	F07-010-3-43901
W 341 H 125	1.1/4"	F07-010-3-23401
W 341 H 131	1.5/16"	F07-010-3-00401
W 341 H 144	1.7/16"	F07-010-3-00301
W 341 H 150	1.1/2"	F07-010-3-23501
W 341 H 156	1.9/16"	F07-010-3-29901
W 341 H 163	1.5/8"	F07-010-3-30001

Wechseleinsätze/Exchangeable inserts

RKW 355	max. SW max. A/F mm	Code Nr. Code no
W 355 H 27 M	27	F07-010-3-41801
W 355 H 30 M	30	F07-010-3-24201
W 355 H 32 M	32	F07-010-3-15601
W 355 H 35 M	35	F07-011-3-13201
W 355 H 36 M	36	F07-010-3-15701
W 355 H 38 M	38	F07-010-3-57001
W 355 H 41 M	41	F07-010-3-15801
W 355 H 42 M	42	F07-011-3-16401
W 355 H 46 M	46	F07-010-3-00501
W 355 H 47 M	47	F07-010-3-47601
W 355 H 48 M	48	F07-010-3-59301
W 355 H 50 M	50	F07-010-3-01501
W 355 H 51 M	51	F07-010-3-11501
W 355 H 52 M	52	F07-010-3-58201
W 355 H 54 M	54	F07-010-3-33401
W 355 H 55 M	55	F07-010-3-00601
W 355 H 56 M	56	F07-010-3-50701

RKW 355	max. SW max. A/F inch	Code Nr. Code no
W 355 H 125	1.1/4"	F07-010-3-52301
W 355 H 131	1.5/16"	F07-010-3-41701
W 355 H 138	1.3/8"	F07-011-3-18201
W 355 H 144	1.7/16"	F07-010-3-52401
W 355 H 150	1.1/2"	F07-010-3-53001
W 355 H 163	1.5/8"	F07-010-3-52501
W 355 H 169	1.11/16"	F07-010-3-00901
W 355 H 175	1.3/4"	F07-010-3-30101
W 355 H 181	1.13/16"	F07-010-3-28901
W 355 H 188	1.7/8"	F07-010-3-30201
W 355 H 194	1.15/16"	F07-010-3-30301
W 355 H 200	2"	F07-010-3-28801
W 355 H 206	2.1/16"	F07-010-3-01001
W 355 H 213	2.1/8"	F07-010-3-19901
W 355 H 219	2.3/16"	F07-010-3-00801
W 355 H 225	2.1/4"	F07-010-3-20001

RKW 370	max. SW max. A/F mm	Code Nr./ Code no
W 370 H 24 M	24	F07-010-3-58101
W 370 H 32 M	32	F07-010-3-58001
W 370 H 36 M	36	F07-010-3-48001
W 370 H 41 M	41	F07-010-3-43201
W 370 H 46 M	46	F07-010-3-43301
W 370 H 50 M	50	F07-010-3-43401
W 370 H 54 M	54	F07-010-3-49701
W 370 H 55 M	55	F07-010-3-43501
W 370 H 56 M	56	F07-010-3-48101
W 370 H 58 M	58	F07-010-3-46601
W 370 H 60 M	60	F07-010-3-25401
W 370 H 61 M	61	F07-010-3-58301
W 370 H 62 M	62	F07-010-3-50001
W 370 H 63 M	63	F07-010-3-48201
W 370 H 65 M	65	F07-010-3-25501
W 370 H 67 M	67	F07-010-3-26901
W 370 H 70 M	70	F07-010-3-25601

RKW 370	max. SW max. A/F inch	Code Nr. Code no
W 370 H 175	1.3/4"	F07-010-3-48501
W 370 H 200	2"	F07-010-3-48601
W 370 H 213	2.1/8"	F07-010-3-48701
W 370 H 219	2.3/16"	F07-010-3-56701
W 370 H 225	2.1/4"	F07-010-3-44001
W 370 H 231	2.5/16"	F07-010-3-44101
W 370 H 238	2.3/8"	F07-010-3-44201
W 370 H 244	2.7/16"	F07-010-3-58401
W 370 H 250	2.1/2"	F07-010-3-44401
W 370 H 256	2.9/16"	F07-010-3-44501
W 370 H 263	2.5/8"	F07-010-3-44601
W 370 H 269	2.11/16"	F07-010-3-56301
W 370 H 275	2.3/4"	F07-010-3-44701

Wechseleinsätze/Exchangeable inserts

RKW 375	max. SW max. A/F mm	Code Nr. Code no
W 375 H 41 M	41	F07-006-3-18201
W 375 H 46 M	46	F07-006-3-18101
W 375 H 50 M	50	F07-006-3-23901
W 375 H 54 M	54	F07-006-3-21601
W 375 H 55 M	55	F07-006-3-18001
W 375 H 58 M	58	F07-006-3-17901
W 375 H 60 M	60	F07-006-3-12301
W 375 H 63 M	63	F07-006-3-17801
W 375 H 65 M	65	F07-006-3-12401
W 375 H 67 M	67	F07-006-3-17701
W 375 H 70 M	70	F07-006-3-12501
W 375 H 71 M	71	F07-006-3-17601
W 375 H 73 M	73	F07-006-3-57401
W 375 H 75 M	75	F07-006-3-12601

RKW 375	max. SW max. A/F inch	Code Nr. Code no
W 375 H 188	1.7/8"	F07-006-3-22401
W 375 H 269	2.11/16"	F07-010-3-45501

RKW 385	max. SW max. A/F mm	Code Nr. Code no
W 385 H 36 M	36	F07-010-3-56501
W 385 H 41 M	41	F07-010-3-56601
W 385 H 46 M	46	F07-010-3-53201
W 385 H 50 M	50	F07-011-3-50801
W 385 H 55 M	55	F07-010-3-42801
W 385 H 58 M	58	F07-010-3-50401
W 385 H 60 M	60	F07-011-3-06901
W 385 H 65 M	65	F07-010-3-47201
W 385 H 67 M	67	F07-010-3-50501
W 385 H 70 M	70	F07-010-3-42701
W 385 H 71 M	71	F07-011-3-08801
W 385 H 73 M	73	F07-010-3-57301
W 385 H 75 M	75	F07-010-3-25701
W 385 H 76 M	76	F07-010-3-58601
W 385 H 77 M	77	F07-011-3-07201
W 385 H 78 M	78	F07-010-3-50901
W 385 H 80 M	80	F07-010-3-25801
W 385 H 85 M	85	F07-010-3-25901

RKW 385	max. SW max. A/F inch	Code Nr. Code no
W 385 H 169	1.11/16"	F07-011-3-05101
W 385 H 188	1.7/8"	F07-011-3-05001
W 385 H 231	2.5/16"	F07-010-3-44901
W 385 H 238	2.3/8"	F07-010-3-57801
W 385 H 275	2.3/4"	F07-010-3-58501
W 385 H 281	2.13/16"	F07-010-3-57901
W 385 H 288	2.7/8"	F07-010-3-44801
W 385 H 294	2.15/16"	F07-010-3-52701
W 385 H 300	3"	F07-010-3-45001
W 385 H 306	3.1/16"	F07-010-3-51201
W 385 H 316	3.1/8"	F07-010-3-45101
W 385 H 319	3.3/16"	F07-010-3-45201
W 385 H 325	3.1/4"	F07-010-3-45301
W 385 H 331	3.5/16"	F07-010-3-45401
W 385 H 338	3.3/8"	F07-010-3-45501

Wechseleinsätze/Exchangeable inserts

RKW 1041	max. SW max. A/F mm	Code Nr. Code no
W 1041 H 24 M	24	F07-010-3-25201
W 1041 H 27 M	27	F07-010-3-50601
W 1041 H 30 M	30	F07-010-3-25301
W 1041 H 32 M	32	F07-010-3-03901
W 1041 H 35 M	35	F07-010-3-43801
W 1041 H 36 M	36	F07-010-3-00101
W 1041 H 39 M	39	F07-010-3-51101
W 1041 H 40 M	40	F07-011-3-16301
W 1041 H 41 M	41	F07-010-3-00201
W 1041 H 42 M	42	F07-010-3-19601

RKW 1041	max. SW max. A/F inch	Code Nr. Code no
W 1041 H 063	5/8"	F07-010-3-56201
W 1041 H 081	13/16"	F07-010-3-35301
W 1041 H 075	3/4"	F07-010-3-35201
W 1041 H 088	7/8"	F07-010-3-35401
W 1041 H 094	15/16"	F07-010-3-35501
W 1041 H 113	1.1/8"	F07-010-3-48801
W 1041 H 181	1.3/16"	F07-010-3-43901
W 1041 H 125	1.1/4"	F07-010-3-23401
W 1041 H 131	1.5/16"	F07-010-3-00401
W 1041 H 144	1.7/16"	F07-010-3-00301
W 1041 H 150	1.1/2"	F07-010-3-23501
W 1041 H 156	1.9/16"	F07-010-3-29901
W 1041 H 163	1.5/8"	F07-010-3-30001

RKW 1055	max. SW max. A/F mm	Code Nr. Code no
W 1055 H 27 M	27	F07-010-3-41801
W 1055 H 30 M	30	F07-010-3-24201
W 1055 H 32 M	32	F07-010-3-15601
W 1055 H 35 M	35	F07-011-3-13201
W 1055 H 36 M	36	F07-010-3-15701
W 1055 H 38 M	38	F07-010-3-57001
W 1055 H 41 M	41	F07-010-3-15801
W 1055 H 42 M	42	F07-011-3-16401
W 1055 H 46 M	46	F07-010-3-00501
W 1055 H 47 M	47	F07-010-3-47601
W 1055 H 48 M	48	F07-010-3-59301
W 1055 H 50 M	50	F07-010-3-01501
W 1055 H 51 M	51	F07-010-3-11501
W 1055 H 52 M	52	F07-010-3-58201
W 1055 H 54 M	54	F07-010-3-33401
W 1055 H 55 M	55	F07-010-3-00601
W 1055 H 56 M	56	F07-010-3-50701

RKW 1055	max. SW max. A/F inch	Code Nr. Code no
W 1055 H 125	1.1/4"	F07-010-3-52301
W 1055 H 131	1.5/16"	F07-010-3-41701
W 1055 H 138	1.3/8"	F07-011-3-18201
W 1055 H 144	1.7/16"	F07-010-3-52401
W 1055 H 150	1.1/2"	F07-010-3-53001
W 1055 H 163	1.5/8"	F07-010-3-52501
W 1055 H 169	1.11/16"	F07-010-3-00901
W 1055 H 175	1.3/4"	F07-010-3-30101
W 1055 H 181	1.13/16"	F07-010-3-28901
W 1055 H 188	1.7/8"	F07-010-3-30201
W 1055 H 194	1.15/16"	F07-010-3-30301
W 1055 H 200	2"	F07-010-3-28801
W 1055 H 206	2.1/16"	F07-010-3-01001
W 1055 H 213	2.1/8"	F07-010-3-19901
W 1055 H 219	2.3/16"	F07-010-3-00801
W 1055 H 225	2.1/4"	F07-010-3-20001

Wechseleinsätze/Exchangeable inserts

RKW 1070	max. SW max. A/F mm	Code Nr. Code no
W 1070 H 24 M	24	F07-010-3-58101
W 1070 H 32 M	32	F07-010-3-58001
W 1070 H 36 M	36	F07-010-3-48001
W 1070 H 41 M	41	F07-010-3-43201
W 1070 H 46 M	46	F07-010-3-43301
W 1070 H 50 M	50	F07-010-3-43401
W 1070 H 54 M	54	F07-010-3-49701
W 1070 H 55 M	55	F07-010-3-43501
W 1070 H 56 M	56	F07-010-3-48101
W 1070 H 58 M	58	F07-010-3-46601
W 1070 H 60 M	60	F07-010-3-25401
W 1070 H 61 M	61	F07-010-3-58301
W 1070 H 62 M	62	F07-010-3-50001
W 1070 H 63 M	63	F07-010-3-48201
W 1070 H 65 M	65	F07-010-3-25501
W 1070 H 67 M	67	F07-010-3-26901
W 1070 H 70 M	70	F07-010-3-25601

RKW 1070	max. SW max. A/F inch	Code Nr. Code no
W 1070 H 175	1.3/4"	F07-010-3-48501
W 1070 H 200	2"	F07-010-3-48601
W 1070 H 213	2.1/8"	F07-010-3-48701
W 1070 H 219	2.3/16"	F07-010-3-56701
W 1070 H 225	2.1/4"	F07-010-3-44001
W 1070 H 231	2.5/16"	F07-010-3-44101
W 1070 H 238	2.3/8"	F07-010-3-44201
W 1070 H 244	2.7/16"	F07-010-3-58401
W 1070 H 250	2.1/2"	F07-010-3-44401
W 1070 H 256	2.9/16"	F07-010-3-44501
W 1070 H 263	2.5/8"	F07-010-3-44601
W 1070 H 269	2.11/16"	F07-010-3-56301
W 1070 H 275	2.3/4"	F07-010-3-44701

RKW 1075	max. SW max. A/F mm	Code Nr. Code no
W 1075 H 41 M	41	F07-006-3-18201
W 1075 H 46 M	46	F07-006-3-18101
W 1075 H 50 M	50	F07-006-3-23901
W 1075 H 54 M	54	F07-006-3-21601
W 1075 H 55 M	55	F07-006-3-18001
W 1075 H 58 M	58	F07-006-3-17901
W 1075 H 60 M	60	F07-006-3-12301
W 1075 H 63 M	63	F07-006-3-17801
W 1075 H 65 M	65	F07-006-3-12401
W 1075 H 67 M	67	F07-006-3-17701
W 1075 H 70 M	70	F07-006-3-12501
W 1075 H 71 M	71	F07-006-3-17601
W 1075 H 73 M	73	F07-006-3-57401
W 1075 H 75 M	75	F07-006-3-12601

RKW 1075	max. SW max. A/F inch	Code Nr. Code no
W 1075 H 188	1.7/8"	F07-006-3-22401
W 1075 H 269	2.11/16"	F07-006-3-19301

Wechseleinsätze/Exchangeable inserts

RKW 1085	max. SW max. A/F mm	Code Nr. Code no
W 1085 H 36 M	36	F07-010-3-56501
W 1085 H 41 M	41	F07-010-3-56601
W 1085 H 46 M	46	F07-010-3-53201
W 1085 H 50 M	50	F07-011-3-50801
W 1085 H 55 M	55	F07-010-3-42801
W 1085 H 58 M	58	F07-010-3-50401
W 1085 H 60 M	60	F07-011-3-06901
W 1085 H 65 M	65	F07-010-3-47201
W 1085 H 67 M	67	F07-010-3-50501
W 1085 H 70 M	70	F07-010-3-42701
W 1085 H 71 M	71	F07-011-3-08801
W 1085 H 73 M	73	F07-010-3-57301
W 1085 H 75 M	75	F07-010-3-25701
W 1085 H 76 M	76	F07-010-3-58601
W 1085 H 77 M	77	F07-011-3-07201
W 1085 H 78 M	78	F07-010-3-50901
W 1085 H 80 M	80	F07-010-3-25801
W 1085 H 85 M	85	F07-010-3-25901

RKW 1085	max. SW max. A/F inch	Code Nr. Code no
W 1085 H 169	1.11/16"	F07-011-3-05101
W 1085 H 188	1.7/8"	F07-011-3-05001
W 1085 H 231	2.5/16"	F07-010-3-44901
W 1085 H 238	2.3/8"	F07-010-3-57801
W 1085 H 275	2.3/4"	F07-010-3-58501
W 1085 H 281	2.13/16"	F07-010-3-57901
W 1085 H 288	2.7/8"	F07-010-3-44801
W 1085 H 294	2.15/16"	F07-010-3-52701
W 1085 H 300	3"	F07-010-3-45001
W 1085 H 306	3.1/16"	F07-010-3-51201
W 1085 H 316	3.1/8"	F07-010-3-45101
W 1085 H 319	3.3/16"	F07-010-3-45201
W 1085 H 325	3.1/4"	F07-010-3-45301
W 1085 H 331	3.5/16"	F07-010-3-45401
W 1085 H 338	3.3/8"	F07-010-3-45501

RKW 1095	max. SW max. A/F mm	Code Nr. Code no
W 1095 H 60 M	60	F07-010-3-24601
W 1095 H 65 M	65	F07-010-3-22401
W 1095 H 70 M	70	F07-010-3-22501
W 1095 H 71 M	71	F07-010-3-59401
W 1095 H 75 M	75	F07-010-3-22001
W 1095 H 77 M	77	F07-010-3-15901
W 1095 H 80 M	80	F07-010-3-22101
W 1095 H 85 M	85	F07-010-3-10101
W 1095 H 88 M	88	F07-010-3-16001
W 1095 H 90 M	90	F07-010-3-02201
W 1095 H 95 M	95	F07-010-3-02301

RKW 1095	max. SW max. A/F inch	Code Nr. Code no
W 1095 H 313	3.1/8"	F07-011-3-14701
W 1095 H 338	3.3/8"	F07-010-3-31101
W 1095 H 344	3.7/16"	F07-010-3-24301
W 1095 H 350	3.1/2"	F07-010-3-31201
W 1095 H 356	3.9/16"	F07-010-3-31301
W 1095 H 375	3.3/4"	F07-010-3-31401

Wechseleinsätze/Exchangeable inserts

RKW 1100	max. SW max. AF mm	Code Nr. Code no
W 1100 H 55 M	55	F07-010-3-47901
W 1100 H 60 M	60	F07-010-3-52801
W 1100 H 65 M	65	F07-010-3-51701
W 1100 H 70 M	70	F07-010-3-52901
W 1100 H 75 M	75	F07-010-3-43601
W 1100 H 80 M	80	F07-010-3-11601
W 1100 H 85 M	85	F07-010-3-43701
W 1100 H 90 M	90	F07-010-3-27301
W 1100 H 95 M	95	F07-010-3-32001
W 1100 H 98 M	98	F07-010-3-51001
W 1100 H 100 M	100	F07-010-3-11701

RKW 1100	max. SW max. A/F inch	Code Nr. Code no
W 1100 H 294	2.15/16"	F07-010-3-57501
W 1100 H 313	3.1/8"	F07-010-3-57601
W 1100 H 338	3.3/8"	F07-010-3-51301
W 1100 H 344	3.7/16"	F07-010-3-45601
W 1100 H 350	3.1/2"	F07-010-3-45701
W 1100 H 356	3.9/16"	F07-010-3-45801
W 1100 H 363	3.5/8"	F07-010-3-45901
W 1100 H 369	3.11/16"	F07-010-3-51401
W 1100 H 375	3.3/4"	F07-010-3-46001
W 1100 H 381	3.13/16"	F07-010-3-27401
W 1100 H 388	3.7/8"	F07-010-3-51501
W 1100 H 394	3.15/16"	F07-010-3-51601

RKW 18090	max. SW max. A/F mm	Code Nr. Code no
W 18090 H 75 M	75	F07-018-3-05601
W 18090 H 80 M	80	F07-018-3-05701
W 18090 H 85 M	85	F07-018-3-05801
W 18090 H 90 M	90	F07-018-3-05301

RKW 18090	max. SW max. A/F inch	Code Nr. Code no
W 18090 H 200	2"	F07-018-3-09501
W 18090 H 238	2.3/8"	F07-018-3-09901
W 18090 H 256	2.9/16"	F07-018-3-09701
W 18090 H 275	2.3/4"	F07-018-3-08901
W 18090 H 281	2.13/16"	F07-018-3-09601
W 18090 H 294	2.15/16"	F07-018-3-10901
W 18090 H 300	3"	F07-018-3-22201
W 18090 H 313	3.1/8"	F07-018-3-08301
W 18090 H 331	3.5/16"	F07-018-3-08410
W 18090 H 338	3.3/8"	F07-018-3-09001
W 18090 H 350	3.1/2"	F07-018-3-08201

Wechseleinsätze/Exchangeable inserts

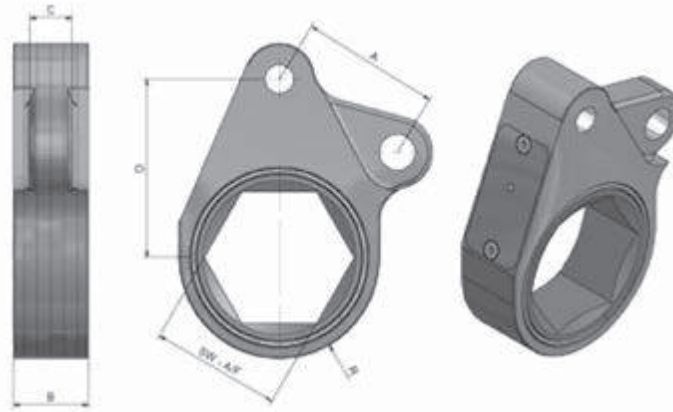
RKW 18105	max. SW max. A/F mm	Code Nr. Code no
W 18105 H 60 M	60	F07-018-3-07401
W 18105 H 65 M	65	F07-018-3-06901
W 18105 H 70 M	70	F07-018-3-07501
W 18105 H 75 M	75	F07-018-3-06801
W 18105 H 80 M	80	F07-018-3-07601
W 18105 H 85 M	85	F07-018-3-06701
W 18105 H 90 M	90	F07-018-3-04001
W 18105 H 95 M	95	F07-018-3-04101
W 18105 H 100 M	100	F07-018-3-04201
W 18105 H 105 M	105	F07-018-3-04301

RKW 18105	max. SW max. A/F inch	Code Nr. Code no
W 18105 H 350	3.1/2"	F07-018-3-21101
W 18105 H 388	3.7/8"	F07-018-3-09401
W 18108 H 413	4.1/8"	F07-018-3-20601

RKW 18120	max. SW max. A/F mm	Code Nr. Code no
W 18120 H 75 M	75	F07-018-3-21301
W 18120 H 80 M	80	F07-018-3-21901
W 18120 H 85 M	85	F07-018-3-21401
W 18120 H 95 M	95	F07-018-3-20401
W 18120 H 100 M	100	F07-018-3-17701
W 18120 H 105 M	105	F07-018-3-08501
W 18120 H 110 M	110	F07-018-3-14401
W 18120 H 115 M	115	F07-018-3-14801
W 18120 H 117 M	117	F07-018-3-21201
W 18120 H 120 M	120	F07-018-3-14701

RKW 18120	max. SW max. A/F inch	Code Nr. Code no
W 18120 H 369	3.11/16"	F07-018-3-07801
W 18120 H 375	3.3/4"	F07-018-3-08601
W 18120 H 388	3.7/8"	F07-018-3-07901
W 18120 H 400	4"	F07-018-3-11001
W 18120 H 406	4.1/16"	F07-018-3-11101
W 18120 H 413	4.1/8"	F07-018-3-08701
W 18120 H 419	4.3/16"	F07-018-3-11301
W 18120 H 425	4.1/4"	F07-018-3-08001
W 18120 H 431	4.5/16"	F07-018-3-11201
W 18120 H 438	4.3/8"	F07-018-3-11401
W 18120 H 444	4.7/16"	F07-018-3-11501
W 18120 H 450	4.1/2"	F07-018-3-08801
W 18120 H 456	4.9/16"	F07-018-3-11601
W 18120 H 463	4.5/8"	F07-018-3-08101
W 18120 H 469	4.11/16"	F07-018-3-11701
W 18120 H 475	4.3/4"	F07-018-3-11801

**Ratschenköpfe/
Ratchet heads**



RKF K 30 / K60	Code Nr. Code no	max. SW max. A/F mm	R	A	B	C	D	Mt max Nm
RKF 324	G07-003-0-02201	24	21	58,7	32	18	75	900
RKF 327	G07-003-0-02101	27	23	58,7	32	18	75	1.000
RKF 332	G07-003-0-02001	32	26	58,7	32	18	75	1.200
RKF 336	G07-003-0-01901	36	30	58,7	32	18	75	1.600
RKF 341	G07-003-0-01801	41	33	58,7	32	18	75	1.900
RKF 346	G07-003-0-01701	46	36	58,7	32	18	75	2.200
RKF 350	G07-003-0-01601	50	39	58,7	32	18	75	2.300
RKF 355	G07-003-0-01501	55	42	58,7	32	18	75	2.500
RKF 360	G07-003-0-01401	60	46	58,7	32	18	75	3.250
RKF 365	G07-003-0-01301	65	49	58,7	32	18	75	4.000
RKF 370	G07-003-0-01201	70	53	58,7	32	18	80	5.000
RKF 375	G07-003-0-01101	75	56	58,7	32	18	89	6.000
RKF 380	G07-003-0-01001	80	61	58,7	32	18	89	6.600
RKF 385	G07-003-0-00901	85	65	58,7	32	18	94	6.600
RKF 390	G07-003-0-00801	90	68	58,7	32	18	94	6.600
RKF 395	G07-003-0-00701	95	71	58,7	32	18	99	6.600

RKF K 30 / K60	Code Nr. Code no	max. SW max. A/F inch	R	A	B	C	D	Mt max Nm
RKF 324	G07-003-0-02220	1.5/16"	21	58,7	32	18	75	900
RKF 327	G07-003-0-02120	1.1/16"	23	58,7	32	18	75	1.000
RKF 332	G07-003-0-02020	1.1/4"	26	58,7	32	18	75	1.200
RKF 336	G07-003-0-01920	1.7/16"	30	58,7	32	18	75	1.600
RKF 341	G07-003-0-01820	1.5/8"	33	58,7	32	18	75	1.900
RKF 346	G07-003-0-01720	1.13/16"	36	58,7	32	18	75	2.200
RKF 350	G07-003-0-01620	2"	39	58,7	32	18	75	2.300
RKF 355	G07-003-0-01520	2.3/16"	42	58,7	32	18	75	2.500
RKF 360	G07-003-0-01420	2.3/8"	46	58,7	32	18	75	3.250
RKF 365	G07-003-0-01320	2.9/16"	49	58,7	32	18	75	4.000
RKF 370	G07-003-0-01220	2.3/4"	53	58,7	32	18	80	5.000
RKF 375	G07-003-0-01120	2.15/16"	56	58,7	32	18	89	6.000
RKF 380	G07-003-0-01020	3.1/8"	61	58,7	32	18	89	6.600
RKF 385	G07-003-0-00920	3.3/8"	65	58,7	32	18	94	6.600
RKF 390	G07-003-0-00820	3.1/2"	68	58,7	32	18	94	6.600
RKF 395	G07-003-0-00720	3.3/4"	71	58,7	32	18	99	6.600

Ratschenköpfe/ Ratchet heads

RKF K 150	Code Nr. Code no	max. SW max. A/F mm	R	A	B mm	C	D	Mt max Nm
RKF 1036	G07-010-0-04201	36	30	75,4	32	22	97	1.600
RKF 1041	G07-010-0-04101	41	33	75,4	32	22	97	1.900
RKF 1046	G07-010-0-04001	46	36	75,4	32	22	97	2.200
RKF 1050	G07-010-0-03901	50	39	75,4	32	22	97	2.300
RKF 1055	G07-010-0-03801	55	42	75,4	32	22	97	2.500
RKF 1060	G07-010-0-03701	60	46	75,4	32	22	97	3.250
RKF 1065	G07-010-0-03601	65	49	75,4	32	22	97	4.000
RKF 1070	G07-010-0-03501	70	53	75,4	32	22	97	5.000
RKF 1075	G07-010-0-03401	75	56	75,4	32	22	97	6.000
RKF 1080	G07-010-0-03301	80	61	75,4	32	22	97	7.750
RKF 1085	G07-010-0-03201	85	65	75,4	32	22	102	9.000
RKF 1090	G07-010-0-03101	90	68	75,4	32	22	102	9.500
RKF 1095	G07-010-0-03001	95	71	75,4	32	22	102	10.000
RKF 1100	G07-010-0-02901	100	75	75,4	32	22	112	11.000

RKF K 150	Code Nr. Code no	max. SW max. A/F inch	R	A	B mm	C	D	Mt max Nm
RKF 1036	G07-010-0-04220	1.7/16"	30	75,4	32	22	97	1.600
RKF 1041	G07-010-0-04120	1.5/8"	33	75,4	32	22	97	1.900
RKF 1046	G07-010-0-04020	1.13/16"	36	75,4	32	22	97	2.200
RKF 1050	G07-010-0-03920	2"	39	75,4	32	22	97	2.300
RKF 1055	G07-010-0-03820	2.3/16"	42	75,4	32	22	97	2.500
RKF 1060	G07-010-0-03720	2.3/8"	46	75,4	32	22	97	3.250
RKF 1065	G07-010-0-03620	2.9/16"	49	75,4	32	22	97	4.000
RKF 1070	G07-010-0-03520	2.3/4"	53	75,4	32	22	97	5.000
RKF 1075	G07-010-0-03420	2.15/16"	56	75,4	32	22	97	6.000
RKF 1080	G07-010-0-03320	3.1/8"	61	75,4	32	22	97	7.750
RKF 1085	G07-010-0-03220	3.3/8"	65	75,4	32	22	102	9.000
RKF 1090	G07-010-0-03120	3.1/2"	68	75,4	32	22	102	9.500
RKF 1095	G07-010-0-03020	3.3/4"	71	75,4	32	22	102	10.000
RKF 1100	G07-010-0-02920	3.7/8"	75	75,4	32	22	112	11.000