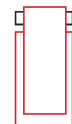




# Lock Nut Cylinders

*HLN Series - Heavy Lifting w/  
Mechanical Lock Nut*



**Capacity:**  
50 - 300 Tons

**Stroke:**  
50 - 300 mm

**Max. Operating Pressure:**  
700 BAR

**Min. - Max. Height:**  
165 - 845 mm



- Single acting cylinder with mechanical safety lock nut
- Designed to support loads without hydraulic pressure
- Overflow port prevents cylinders from over travel
- Load return
- Solid steel cylinder body
- Electroless nickel plated plunger to resist corrosion and rust
- Maximum working pressure: 10,000 psi / 700 bar

### Optional Tilt Saddles

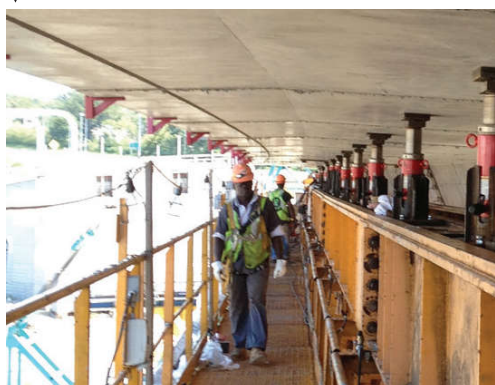
SDT55	→	HLN55, HLN100 Cylinders
SDT200	→	HLN150, HLN200 Cylinders
SDT250	→	HLN250
SDT300	→	HLN300



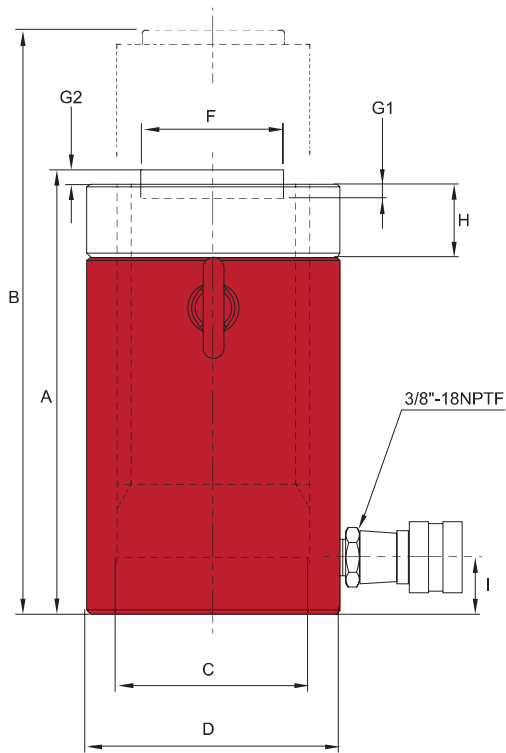
Saddles tilt to a 5° max to adjust to the load.

pg 41

(42) HLN5508 lock nut cylinders lifting the Jordan Bridge in Chesapeake, VA.



Cylinder Capacity	Stroke (mm)	Model Number	Cylinder Effective Area (cm <sup>2</sup> )	Oil Capacity (cc)	Weight (kg)
55 Ton 489 kN	50	HLN5502	70.9	355	15.4
	100	HLN5504	70.9	709	20.4
	150	HLN5506	70.9	1064	24.9
	200	HLN5508	70.9	1418	29.9
	250	HLN5510	70.9	1773	34.9
	300	HLN5512	70.9	2127	39.5
100 Ton 890 kN	50	HLN10002	132.7	664	30.4
	100	HLN10004	132.7	1327	39.0
	150	HLN10006	132.7	1991	47.2
	200	HLN10008	132.7	2654	55.8
	250	HLN10010	132.7	3318	64.0
	300	HLN10012	132.7	3981	72.6
150 Ton 1334 kN	50	HLN15002	201	1006	52.6
	100	HLN15004	201	2012	65.8
	150	HLN15006	201	3018	78.9
	200	HLN15008	201	4019	91.6
	250	HLN15010	201	5025	104.8
	300	HLN15012	201	6031	117.5
200 Ton 1779 kN	50	HLN20002	264.5	1322	82.1
	100	HLN20004	264.5	2645	98.9
	150	HLN20006	264.5	3966	116.1
	200	HLN20008	264.5	5293	132.9
	250	HLN20010	264.5	6612	150.1
	300	HLN20012	264.5	7934	166.9
250 Ton 2224 kN	50	HLN25002	363.1	1815	114.8
	150	HLN25006	363.1	5446	161.5
	300	HLN25012	363.1	10891	231.3
300 Ton 2669 kN	50	HLN30002	454.3	2271	171.9
	150	HLN30006	454.3	6814	231.3
	300	HLN30012	454.3	13628	320.2



### HLN Series

#### Safety Color Band



BVA Lock nut cylinders are equipped with a yellow safety band. Do not extend the ram beyond this point as it may result in a loss of hydraulic oil and damage to the cylinder and/or load.

**80%**

#### Safety Practices

Good industry practice recommends not exceeding 80% of maximum rated capacities of all our products.

Model Number	Collapsed Height A (mm)	Extended Height B (mm)	Cylinder Bore Diameter C (mm)	Outside Diameter D (mm)	Saddle Diameter F (mm)	Depth of Plunger Hole G1 (mm)	Saddle Protrusion From Plunger G2 (mm)	Lock Nut Length H (mm)	Base to Inlet Port I (mm)
HLN5502	165	213	94	124	71	13	2	36	28
HLN5504	213	315	94	124	71	13	2	36	28
HLN5506	264	414	94	124	71	13	2	36	28
HLN5508	315	513	94	124	71	13	2	36	28
HLN5510	363	615	94	124	71	13	2	36	28
HLN5512	414	714	94	124	71	13	2	36	28
HLN10002	188	236	130	165	71	13	2	46	28
HLN10004	236	338	130	165	71	13	2	46	28
HLN10006	287	437	130	165	71	13	2	46	28
HLN10008	338	536	130	165	71	13	2	46	28
HLN10010	386	638	130	165	71	13	2	46	28
HLN10012	437	737	130	165	71	13	2	46	28
HLN15002	209	259	160	205	130	25	2	44	39
HLN15004	259	359	160	205	130	25	2	44	39
HLN15006	309	459	160	205	130	25	2	44	39
HLN15008	359	559	160	205	130	25	2	44	39
HLN15010	409	659	160	205	130	25	2	44	39
HLN15012	459	759	160	205	130	25	2	44	39
HLN20002	243	292	183	235	130	25	2	50	50
HLN20004	293	393	183	235	130	25	2	50	50
HLN20006	343	495	183	235	130	25	2	50	50
HLN20008	394	594	183	235	130	25	2	50	50
HLN20010	442	693	183	235	130	25	2	50	50
HLN20012	493	793	183	235	130	25	2	50	50
HLN25002	249	299	215	275	150	25	2	56	50
HLN25006	349	499	215	275	150	25	2	56	50
HLN25012	499	799	215	275	150	25	2	56	50
HLN30002	295	345	241	310	139	25	5	60	59
HLN30006	395	545	241	310	139	25	5	60	59
HLN30012	545	845	241	310	139	25	5	60	59



# Low Profile Lock Nut Cylinders


Low Clearance Lifting w/ Mechanical Lock Nut



- Single acting cylinder with mechanical safety lock nut
- Designed to support loads without hydraulic pressure
- Low profile for confined spaces
- 5° tilting saddle is standard
- Maximum working pressure: 10,000 psi/700 bar
- Equipped with CH38F high flow coupler
- Load Return

HLNF Series

**Related Product: Gauges**



Reduce the risk of overloading your product by using a gauge. A variety of graduations and types to suit any need. pg 65

**Safety Color Band**

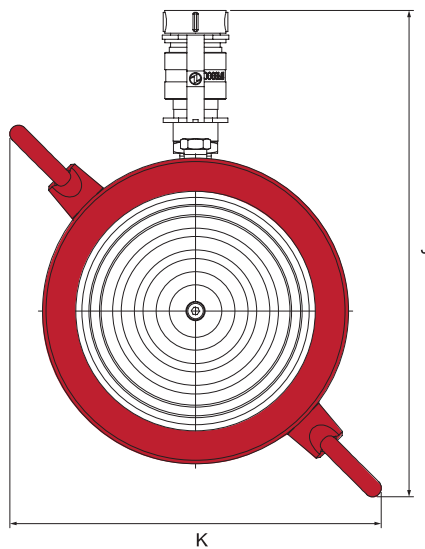
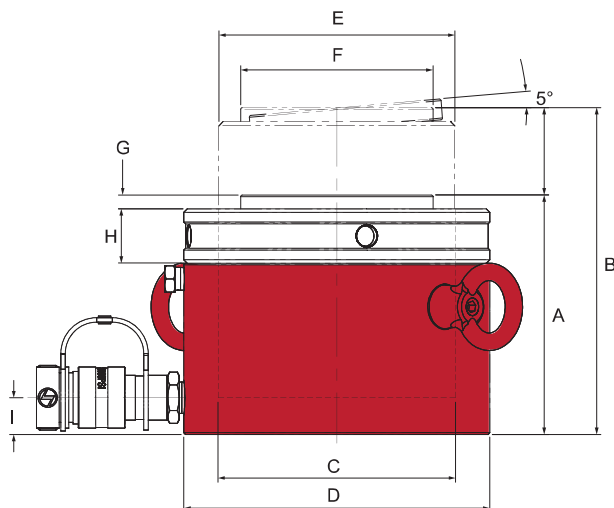


BVA Lock nut cylinders are equipped with a yellow safety band. Do not extend the ram beyond this point as it may result in a loss of hydraulic oil and damage to the cylinder and/or load.

**Safety Instructions**



Visit our DO'S and DON'TS section to review the best methods of operation. Always be prepared. pg 102



Cylinder Capacity	Stroke (mm)	Model Number	Cylinder Effective Area (cm <sup>2</sup> )	Oil Capacity (cc)	Weight (kg)
60 Ton / 534 kN	50	HLNF6002	86.6	433	14.2
100 Ton / 890 kN	50	HLNF10002	144.9	725	24.5
160 Ton / 1423 kN	45	HLNF16002	229.1	1031	41.3
200 Ton / 1779 kN	45	HLNF20002	283.6	1276	53.8
250 Ton / 2224 kN	45	HLNF25002	363.1	1634	70.1

Model Number	Collapsed Height A (mm)	Extended Height B (mm)	Cylinder Bore Dia. C (mm)	Outside Dia. D (mm)	Plunger Outside Thread E	Saddle Dia. F (mm)	Saddle Protrusion From Plunger G (mm)	Lock Nut Length H (mm)	Base to Inlet Port I (mm)	Coupler to Eyelet J (mm)	Eyelet to Eyelet K (mm)
HLNF6002	125	175	105	140	TW105-4N	82	6	28	19	248	188
HLNF10002	137	187	136	175	TW135-4N	110	8	31	21	278	213
HLNF16002	148	193	171	220	TW170-4N	148	9	40	27	316	244
HLNF20002	155	200	190	245	TW190-4N	160	10	43	30	338	262
HLNF25002	159	204	215	275	TW215-4N	185	11	44	32	363	283