



Air Pumps

Air Actuated Power

PA Series



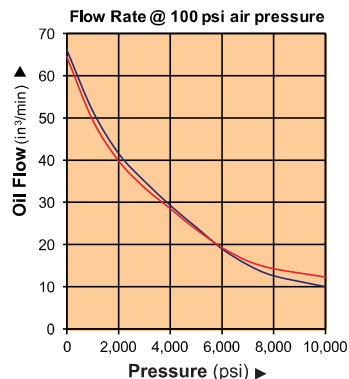
PA1500



PA600H



PA600



Air Consumption = 7.8cfm



PA2000

PA3801

PA7550

Product Information

- Metal reservoirs resist cracking
- US Patent No. 5,946,912, a built in bypass device protects the hydraulic system from over pumping damage
- A compact yet powerful Air Turbo Motor US Patent No. 5,341,723
- Suggested air inlet range: 110-175 psi / 7.6-12.1 bar
- Maximum working pressure: 10,000 psi / 700 Bar



PA7550M

PA3801M

PA1500M

PA1500A Pressure Adjustment



PA1500A Pressure can be adjusted externally from 1,000 psi / 70 Bar to 10,000 psi / 700 Bar.

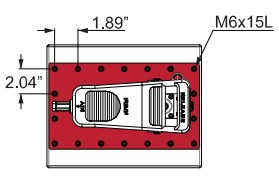
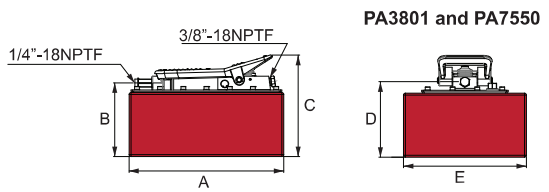
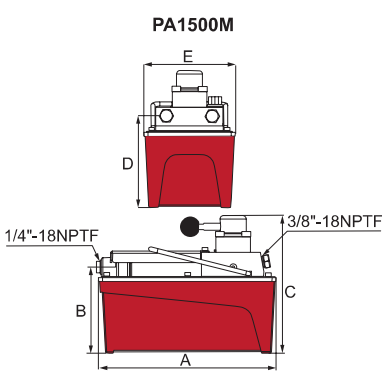
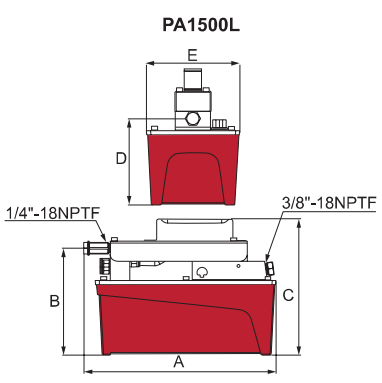
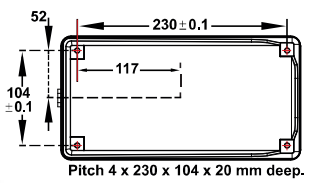
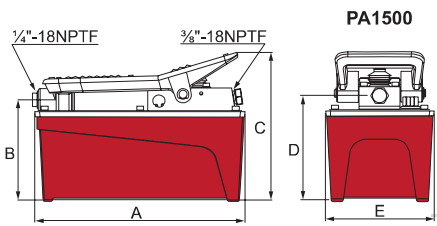
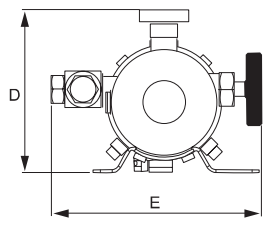
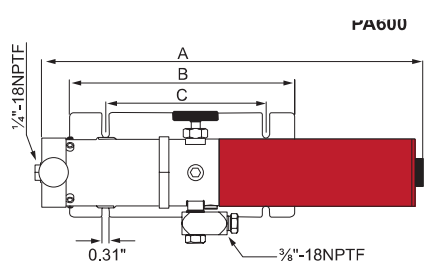
Model Number	Usable Oil Capacity (L)	Oil Outlet Port	Output Flow Rate		Input Air Pressure Required (BAR)	Air Consumption (L/min)	Reservoir Construction
			No Load (L/min)	Load (L/min)			
Single Acting							
PA600	138.5	3/8"-18 NPTF	1.00	0.15	7.59-12.07	220.87	Aluminum
PA600H	138.5	3/8"-18 NPTF	1.00	0.15	7.59-12.07	220.87	Aluminum
PA1500	346.4	3/8"-18 NPTF	1.08	0.18	7.59-12.07	220.87	Aluminum
PA1500A*	346.4	3/8"-18 NPTF	1.08	0.18	7.59-12.07	220.87	Aluminum
PA1500L**	346.4	3/8"-18 NPTF	1.00	0.16	7.59-12.07	220.87	Aluminum
PA2000	462.2	3/8"-18 NPTF	1.07	0.20	7.59-12.07	220.87	Aluminum
PA3801	877.8	3/8"-18 NPTF	1.07	0.18	7.59-12.07	220.87	Steel
PA3801L**	877.8	3/8"-18 NPTF	1.00	0.16	7.59-12.07	220.87	Steel
PA7550	1743.6	3/8"-18 NPTF	1.07	0.18	7.59-12.07	220.87	Steel
Double Acting							
PA1500M	346.4	3/8"-18 NPTF	1.08	0.18	7.59-12.07	220.87	Aluminum
PA3801M	877.8	3/8"-18 NPTF	1.07	0.18	7.59-12.07	220.87	Steel
PA7550M	1743.6	3/8"-18 NPTF	1.07	0.18	7.59-12.07	220.87	Steel

* This unit is equipped with an external pressure adjustment (70-700 bar)

**These pumps are equipped with a hand held air powered pendant



PA Series



Air Pump Combo
 PA1500 air pumps are available in easy to order kits: pump, gauge, coupler, hose and cylinder
 pg 60

Related Product: Hoses
 We offer a variety of hoses, fittings, lengths and materials.
 pg 67

Model Number	Base Mounting Holes	Dimensions (mm)					Weight w/ Oil (kg)
		A	B	C	D	E	
Single Acting							
PA600	yes	426	250	178	157	142	6.4
PA600H	yes	426	250	178	114	146	5.7
PA1500	yes	263	127	185	131	136	8.2
PA1500A*	yes	263	127	185	131	136	8.2
PA1500L**	yes	278	160	204	130	136	8.8
PA2000	yes	321	163	207	132	187	9.1
PA3801	no	321	129	187	133	187	12.3
PA3801L**	no	321	163	207	132	187	13.8
PA7550	no	321	127	211	156	214	16.3
Double Acting							
PA1500M	yes	267	127	203	136	136	8.7
PA3801M	no	321	128	204	135	187	10.9
PA7550M	no	321	152	229	161	255	18.1

* Unit is equipped with an external pressure adjustment (70-700 bar)
 **These pumps are equipped with a hand held air powered pendant