



Hand Pumps

Aluminum and Steel



P Series

Combo Kits
Most hand pumps are available in easy to order kits; Pump, Gauge, Couplers, Hose and Cylinder pg 60

Related Product: Gauges
Reduce the risk of overloading your product by using a gauge. A variety of graduations and types to suit any need. pg 65

Safety Instructions
Visit our DO'S and DON'TS section to review the best methods of operation. Always be prepared. pg 102

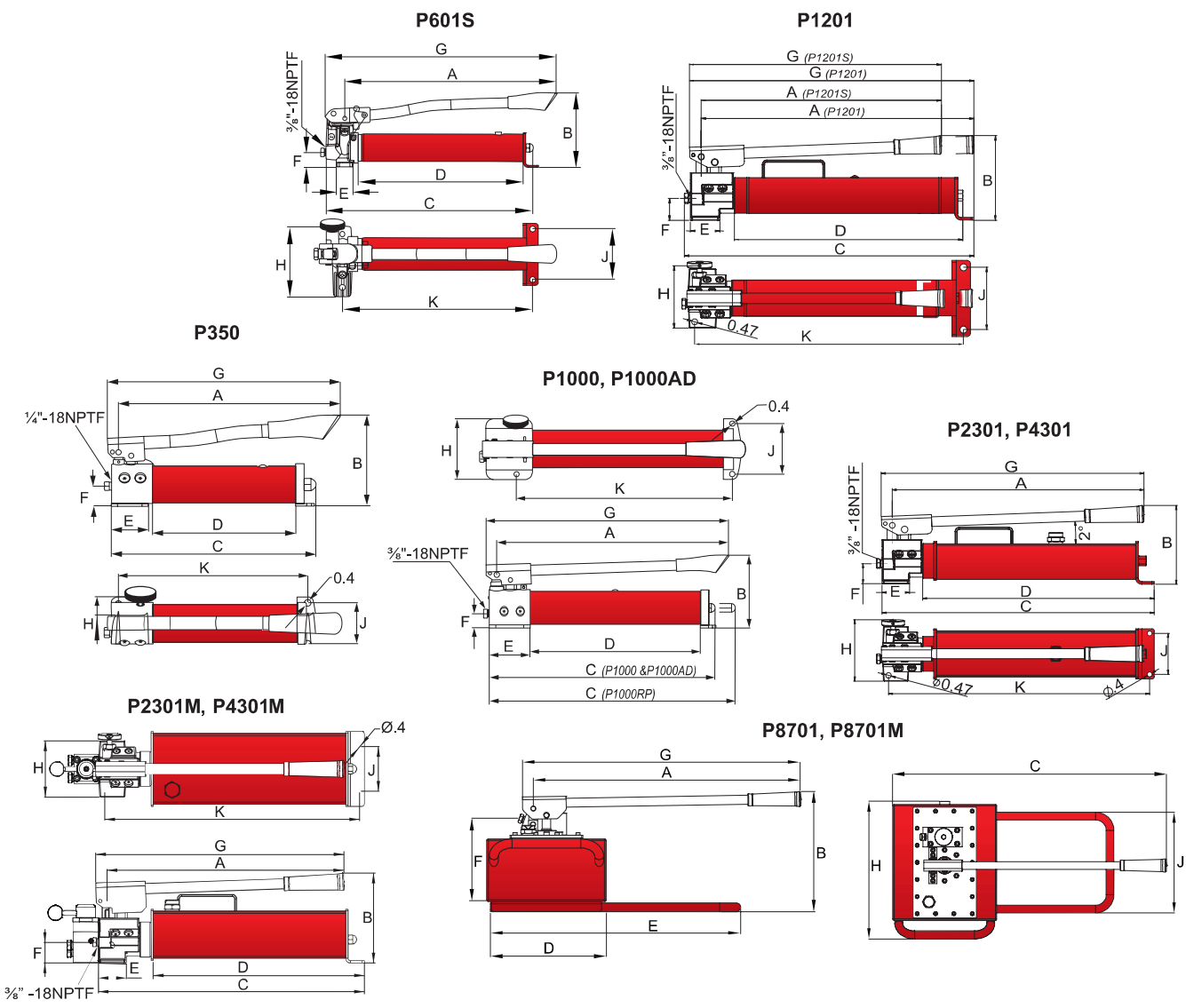
Product Information

- Metal reservoirs resist cracking
- Internal pressure relief valve for overload protection
- Perfect for use with cylinders and hydraulic tools or OEM applications
- Two-Speed pumps reduce user fatigue and increase productivity
- P1000AD can not only be used in the standard horizontal position, but can also be used with the outlet port facing upwards or downwards position providing more flexibility in operation

CE

Model Number	Usable Oil Capacity (cc)	Oil Outlet Port	Pressure Rating/Oil Displacement per Stroke		Piston Stroke (mm)	Handle Operating Force (kg)	Reservoir Construction
			1 st Stage (BAR/cc)	2 nd Stage (BAR/cc)			
Single Speed - Single Acting							
P601S	600	3/8"-18 NPTF	-	700/2.46	20	484.9	Steel
2-Speed - Single Acting							
P350	350	1/4"-18 NPTF	13.8/2.95	700/0.82	10	391.4	Aluminum
P1000	1000	3/8"-18 NPTF	13.8/13.27	700/2.29	21	440.4	Aluminum
P1000AD*	870-1000	3/8"-18 NPTF	13.8/13.27	700/2.29	21	440.4	Aluminum
P1201	1100	3/8"-18 NPTF	13.8/13.27	700/2.29	21	440.4	Steel
P2301	2200	3/8"-18 NPTF	13.8/13.27	700/2.29	21	440.4	Steel
P4301	4100	3/8"-18 NPTF	13.8/13.27	700/2.29	21	440.4	Steel
P8701	7800	3/8"-18 NPTF	20.01/126.34	700/4.75	43	636.1	Steel
2-Speed - Double Acting							
P2301M	2200	3/8"-18 NPTF	13.8/13.27	700/2.29	21	440.4	Steel
P4301M	4100	3/8"-18 NPTF	14/13.2	700/2.3	526	440.0	Steel
P8701M	7800	3/8"-18 NPTF	20.01/126.34	700/4.75	43	636.1	Steel

* Oil capacity varies by position. Pump can be mounted outlet up or down



Model Number	Dimensions (mm)										Weight w/Oil (kg)
	A	B	C	D	E	F	G	H	J	K	
Single Speed - Single Acting											
P601S	481	164	496	390	40	32	528	132	95	367	5.9
2-Speed - Single Acting											
P350	341	150	353	231	60	34	359	85	65		3.0
P1000	553	161	585	380	91	32	507	124	100	430	6.2
P1000AD*	553	161	585	380	91	32	507	124	100	430	6.2
P1201	552	171	586	467	54	44	575	125	95	464	9.3
P2301	552	173	609	95	25	44	597	135	95	573	12.6
P4301	552	195	581	95	27	44	569	135	95	545	17.1
P8701	655	295	771	293	614	210	684	387	284		34.5
2-Speed - Double Acting											
P2301M	646	173	697	95	27	38	553	120	90	573	14.7
P4301M	525	195	665	569	60	38	552	135	95	545	19.0
P8701M	655	295	771	293	614	229	684	387	284		35.1

* Oil capacity varies by position. Pump can be mounted outlet up or down and does not need to be horizontal

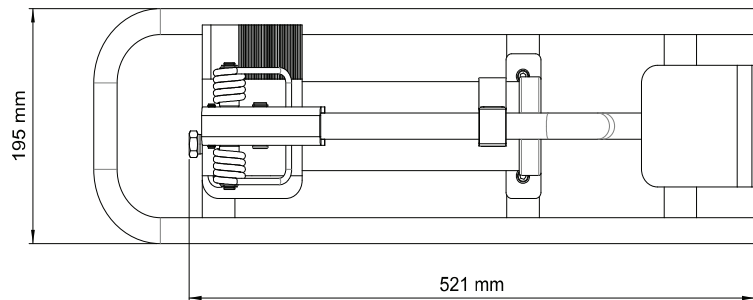
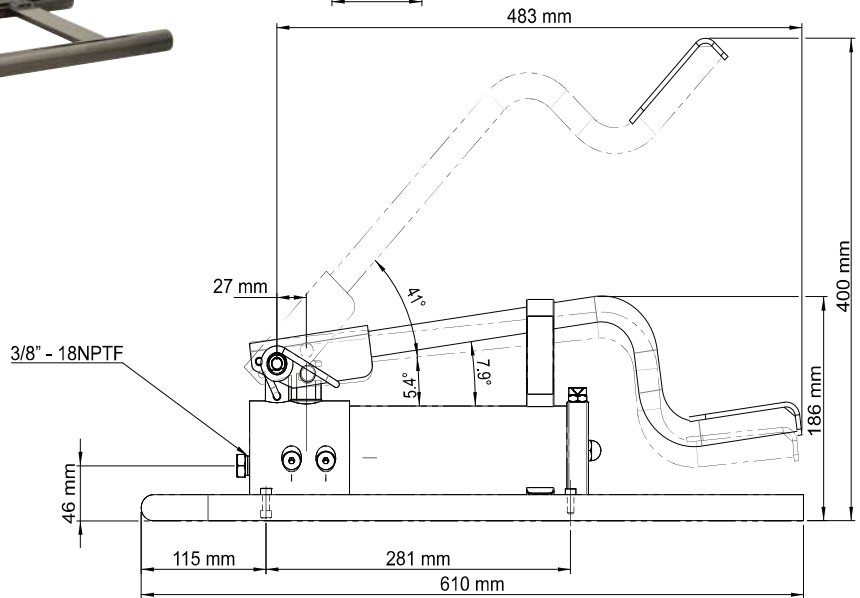
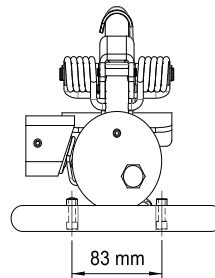


Foot Pump

P57 Series - 10,000 PSI



P570FP



Safety Practices

Good industry practice recommends not exceeding 80% of maximum rated capacities of all our products.



HF Kits

Consider using our portable HF kits in conjunction with this pump.

pg 19



Safety Instructions

Visit our DO'S and DON'TS section to review the best methods of operation. Always be prepared.

pg 102



High-Flow Couplers

High-Flow Coupler: CH38F is included on all models (except where specified).

Related Product: Nut Splitters

The HNS nut splitters pair up with this portable foot pump. Our hydraulic nut splitters come in a spacious tool box so its easy to carry around from site-to-site. This tool box is large enough to hold small cylinders, saddles, spacers or whatever tool you need to bring with you to your next job site.



Model Number	Bolt Range	Hexagon Nut Range
NS1319	6-12	13-19
NS1924	12-16	19-24
NS2432	16-22	24-32
NS3241	22-27	32-41
NS4150	27-33	41-50
NS5060	33-39	50-60
NS6075	39-48	60-75

pg 92

Usable Oil (cc)	Model Number	Pressure Rating (BAR)		Oil Displacement per Stroke (cc)		Max. Handle Effort (kg)	Piston Stroke (mm)	Weight (kg)
		1st Stage	2nd Stage	"1st Stage"	2nd Stage			
500	P570FP	13.8	690	13	2	57.7	21	8.2

All Position Aluminium Pumps

- Pump can work in any position
- Mounting plate allows the pump to be securely fastened.



Model Number	Usable Oil Capacity (L)	Oil Outlet Port	Output Flow Rate		Input Air Pressure Required (BAR)	Air Consumption (L/min)	Reservoir Construction
			No Load (L/min)	Load (L/min)			
Single Acting							
PA600	138.5	3/8"-18 NPTF	1.00	0.15	7.59-12.07	220.87	Aluminum
PA600H	138.5	3/8"-18 NPTF	1.00	0.15	7.59-12.07	220.87	Aluminum

Model Number	Usable Oil Capacity (cc)	Oil Outlet Port	Pressure Rating/Oil Displacement per Stroke		Piston Stroke (mm)	Handle Operating Force (kg)	Reservoir Construction
			1 st Stage (BAR/cc)	2 nd Stage (BAR/cc)			
2-Speed - Single Acting							
P1000AD*	869-1016	3/8"-18 NPTF	13.8/13.27	700/2.29	21	440.4	Aluminum

* Oil capacity varies by position. Pump can be mounted outlet up or down

For sizes: P1000AD - Page 44
PA600 & PA600H - Page 48

