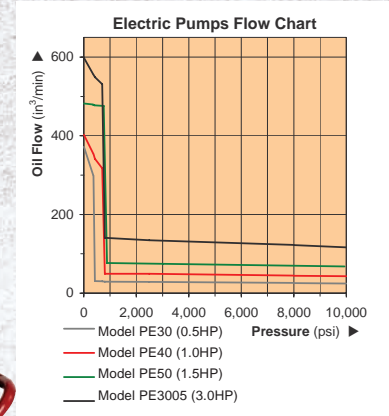


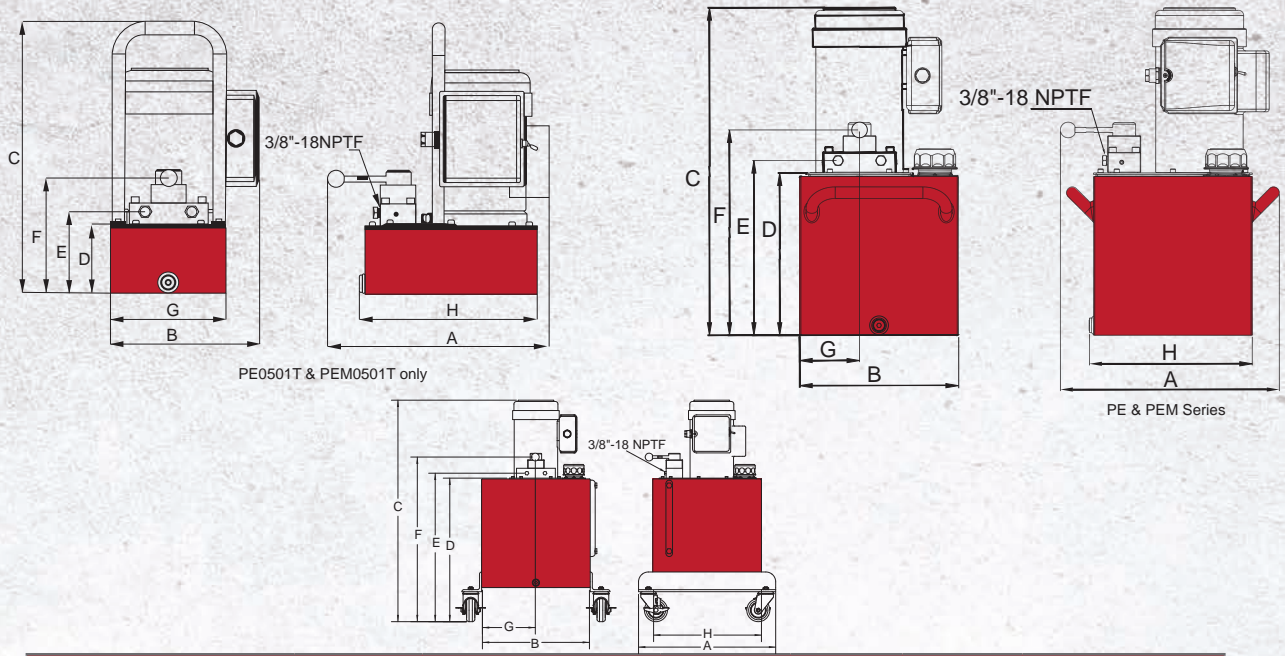
# ELECTRIC PUMPS

- Quiet operation meets OSHA regulations (80dBA)
- 2 speed operation allows for faster cylinder advance
- Full load starting capacities
- Internal filter keeps contamination from damaging pump
- Rugged durable design meets the demands of industrial applications
- Precision components to minimize wear and improve overall dependability
- 50 Hertz motors optional
- 1/2, 1 & 1.5 Hp wired std 120/60 VAC/Hz;  
Optional wiring 240/60 VAC/Hz; 100% Duty Cycle
- 3hp units wired only 240/60 VAC/Hz; 50% Duty Cycle

**\*Positive locking valve available please refer to ELECTRIC PUMPS with LOCKING MANUAL VALVE (next section)**



Use with Cylinder	Motor Size (hp)	Usable Oil Capacity (gal)	Model Number	Pressure Rating		Oil Output Flow Rate		Valve Type	Valve Function	Current Draw (amps)	Motor Voltage (volts)	Weight (lbs)
				1st Stage (psi)	2nd Stage (psi)	1st Stage (in³/min)	2nd Stage (in³/min)					
Single Acting	0.5	1.0	PE30M3N01A	350	10,000	293	18	3-way, 3-position	Advance/ Hold/ Return	9	115	59.5
	0.5	2	PE30M3N02A	350	10,000	293	18			9	115	65.9
	1.0	2.0	PE40M3N02A	700	10,000	397	37			12	115	70.5
	1.5	3.0	PE50M3N03A	700	10,000	476	61			17	115	88.5
	1.5	5.0	PE50M3N05A	700	10,000	476	61			17	115	94.0
	1.5	10.0	PE50M3N10A	700	10,000	476	61			17	115	116.0
	1.5	15.0	PE50M3N15A	700	10,000	476	61			17	115	127.0
	1.5	25.0	PE50M3N25A	700	10,000	476	61			17	115	148.0
	3.0	5.0	PE3005T	700	10,000	592	110			17	230	101.0
	3.0	10.0	PE3010T	700	10,000	592	110			17	230	123.0
	3.0	15.0	PE3015T	700	10,000	592	110			17	230	134.0
Double Acting	0.5	1.0	PE30M4N01A	350	10,000	293	18	4-way, 3-position	Advance/ Hold/ Return	9	115	59.5
	0.5	2	PE30M4N02A	700	10,000	293	18			9	115	65.9
	1.0	2.0	PE40M4N02A	700	10,000	397	37			12	115	70.5
	1.5	3.0	PE50M4N03A	700	10,000	476	61			17	115	88.5
	1.5	5.0	PE50M4N05A	700	10,000	476	61			17	115	94.0
	1.5	10.0	PE50M4N10A	700	10,000	476	61			17	115	116.0
	1.5	15.0	PE50M4N15A	700	10,000	476	61			17	115	127.0
	1.5	25.0	PE50M4N25A	700	10,000	476	61			17	115	148.0
	3.0	5.0	PEM3005T	700	10,000	592	110			17	230	101.0
	3.0	10.0	PEM3010T	700	10,000	592	110			17	230	123.0
	3.0	15.0	PEM3015T	700	10,000	592	110			17	230	134.0
3.0	25.0	PEM3025T	700	10,000	592	110	17	230	155.0			



PE0501T & PEM0501T only

PE & PEM Series

Model Number	Dimensions (in)							
	A	B	C	D	E	F	G	H
PE30M3N01A	14.92	10.28	19.09	4.72	5.67	7.99	8.07	12.36
PE30M3N02A	17.33	12.01	20.36	5.78	6.89	14.92	4.51	12.36
PE40M3N02A	16.65	12.01	17.83	5.94	6.89	9.21	4.53	12.36
PE50M3N03A	16.65	12.01	19.72	7.24	8.19	10.51	4.53	12.36
PE50M3N05A	16.57	12.01	24.78	12.28	13.21	15.53	4.53	12.32
PE50M3N10A	20.87	16.54	31.48	18.98	19.93	22.25	8.27	16.54
PE50M3N15A	20.87	16.54	34.63	22.13	23.08	25.40	8.27	16.54
PE50M3N25A	25.59	21.26	34.63	22.13	23.08	25.40	10.63	21.26
PE3005T	16.54	12.01	26.54	12.28	13.23	15.51	4.53	12.36
PE3010T	20.87	16.54	33.24	18.98	19.93	22.25	8.27	16.54
PE3015T	20.87	16.54	36.39	22.13	23.08	25.40	8.27	16.54
PE3025T	25.59	21.26	36.39	22.13	23.08	25.40	10.63	21.26
PE30M4N01A	14.92	10.28	19.09	4.72	5.67	7.99	8.07	12.36
PE30M4N02A	17.33	12.01	20.36	5.78	6.89	14.92	4.51	12.36
PE40M4N02A	16.65	12.01	17.83	5.94	6.89	9.21	4.53	12.36
PE50M4N03A	16.65	12.01	19.72	7.24	8.19	10.51	4.53	12.36
PE50M4N05A	16.57	12.01	24.78	12.28	13.21	15.53	4.53	12.32
PE50M4N10A	20.87	16.54	31.48	18.98	19.93	22.25	8.27	16.54
PE50M4N15A	20.87	16.54	34.63	22.13	23.08	25.40	8.27	16.54
PE50M4N25A	25.59	21.26	34.63	22.13	23.08	25.40	10.63	21.26
PEM3005T	16.54	12.01	26.54	12.28	13.23	15.51	4.53	12.36
PEM3010T	20.87	16.54	33.24	18.98	19.93	22.25	8.27	16.54
PEM3015T	20.87	16.54	36.39	22.13	23.08	25.40	8.27	16.54
PEM3025T	25.59	21.26	36.39	22.13	23.08	25.40	10.63	21.26



## Electric Pumps

PE30, PE40, PE50 Series

- Single Phase

- Meets OSHA regulations for sound (80dBA)
- 2 Stage pumps provide fast run up before the high pressure stage
- Suction strainers screen out contamination to prevent pump damage
- All units are wired as 240 VAC 50 Hz
- All hand pendants are wired 24 VAC for safety
- Starts under full load



PE40M4N02D



PEW03 Optional

Use with Cylinder Type	Flow Rate				Motor Size
	1 <sup>st</sup> Stage		2 <sup>nd</sup> Stage		
	L/min	BAR	L/min	BAR	

Manual Valve							
	3W/3P Advance /Hold Return		4.80	24.15	0.30	700	0.5 Hp
			5.10	48.30	0.61	700	1.0 Hp
			7.80	48.30	1.00	700	1.5 Hp
	4W/3P Advance /Hold/Return		6.3	48	1.22	700	3 Hp
			4.80	24.15	0.30	700	0.5 Hp
			5.10	48.30	0.61	700	1.0 Hp
			7.80	48.30	1.00	700	1.5 Hp
			6.3	48	1.22	700	3 Hp
Manual Valve w/10 ft. Motor Pendant							
	3W/3P Advance /Hold Return		4.80	24.15	0.30	700	0.5 Hp
			5.10	48.30	0.61	700	1.0 Hp
			7.80	48.30	1.00	700	1.5 Hp
	4W/3P Advance /Hold/Return		6.3	48	1.22	700	3 Hp
			4.80	24.15	0.30	700	0.5 Hp
			5.10	48.30	0.61	700	1.0 Hp
			7.80	48.30	1.00	700	1.5 Hp
			6.3	48	1.22	700	3 Hp
Solenoid Valve w/10 ft. Pendant & Locking Plate							
	3W/3P Advance /Hold Return		4.80	24.15	0.30	700	0.5 Hp
			5.10	48.30	0.61	700	1.0 Hp
			7.80	48.30	1.00	700	1.5 Hp
	4W/3P Advance /Hold/Return		6.3	48	1.22	700	3 Hp
			4.80	24.15	0.30	700	0.5 Hp
			5.10	48.30	0.61	700	1.0 Hp
			7.80	48.30	1.00	700	1.5 Hp
			6.3	48	1.22	700	3 Hp



**PE Series**

**80%**

**Safety Practices**

Good industry practice recommends not exceeding 80% of maximum rated capacities of all our products.

Usable Oil Capacity						
1 Gal	2 Gal	3 Gal	5 Gal	10 Gal	15 Gal	25 Gal
Model Number	Model Number	Model Number	Model Number	Model Number	Model Number	Model Number
<b>Manual Valve</b>						
PE30M3N01D	PE30M3N02D	PE30M3N03D	-	-	-	-
-	PE40M3N02D	PE40M3N03D	PE40M3N05D	PE40M3N10D	PE40M3N15D	PE40M3N25D
-	-	PE50M3N03D	PE50M3N05D	PE50M3N10D	PE50M3N15D	PE50M3N25D
PE30M4N01D	PE30M4N02D	PE30M4N03D	-	-	-	-
-	PE40M4N02D	PE40M4N03D	PE40M4N05D	PE40M4N10D	PE40M4N15D	PE40M4N25D
-	-	PE50M4N03D	PE50M4N05D	PE50M4N10D	PE50M4N15D	PE50M4N25D
<b>Manual Valve w/10 ft. Motor Pendant</b>						
PE30W3N01D	PE30W3N02D	PE30W3N03D	-	-	-	-
-	PE40W3N02D	PE40W3N03D	PE40W3N05D	PE40W3N10D	PE40W3N15D	PE40W3N25D
-	-	PE50W3N03D	PE50W3N05D	PE50W3N10D	PE50W3N15D	PE50W3N25D
PE30W4N01D	PE30W4N02D	PE30W4N03D	-	-	-	-
-	PE40W4N02D	PE40W4N03D	PE40W4N05D	PE40W4N10D	PE40W4N15D	PE40W4N25D
-	-	PE50W4N03D	PE50W4N05D	PE50W4N10D	PE50W4N15D	PE50W4N25D
<b>Solenoid Valve w/10 ft. Pendant</b>						
PE30S3N01D	PE30S3N02D	PE30S3N03D	-	-	-	-
-	PE40S3N02D	PE40S3N03D	PE40S3N05D	PE40S3N10D	PE40S3N15D	PE40S3N25D
-	-	PE50S3N03D	PE50S3N05D	PE50S3N10D	PE50S3N15D	PE50S3N25D
PE30S4N01D	PE30S4N02D	PE30S4N03D	-	-	-	-
-	PE40S4N02D	PE40S4N03D	PE40S4N05D	PE40S4N10D	PE40S4N15D	PE40S4N25D
-	-	PE50S4N03D	PE50S4N05D	PE50S4N10D	PE50S4N15D	PE50S4N25D



## Electric Pumps

### Electric Power Source

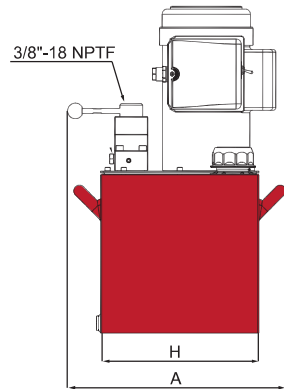
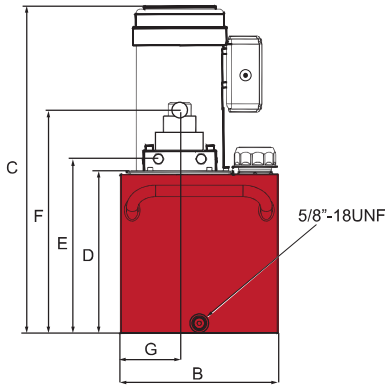


PE30M4N01D



PE60M4N15D

### PE30 Series



### Pump Accessories

See the assortment of accessories designed to work with these pumps.

pg 62



### Safety Practices

Good industry practice recommends not exceeding 80% of maximum rated capacities of all our products.



### Safety Instructions

Visit our DO'S and DON'TS section to review the best methods of operation. Always be prepared.

pg 102



### Pressure Settings

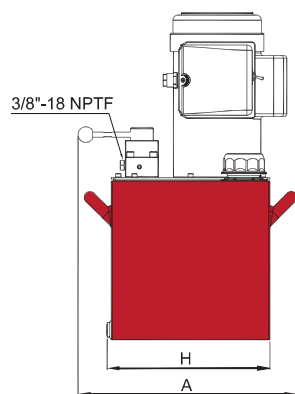
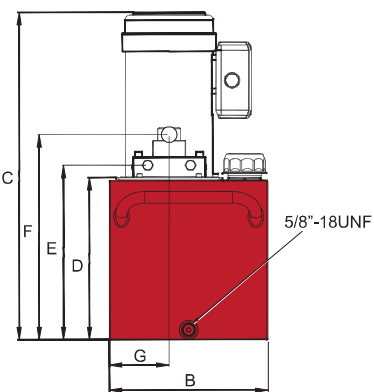
Custom pressure settings available upon request. Contact your local BVA dealer.



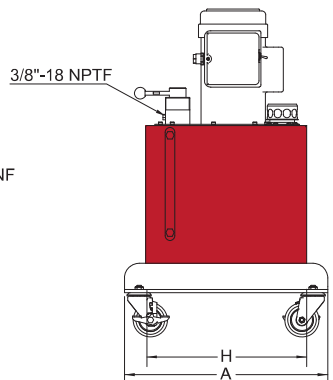
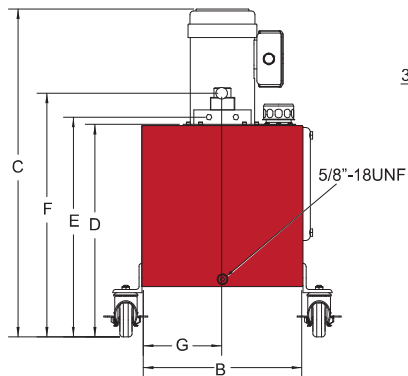
### Reservoir Sizing

Recommended reservoir sizing is Extended Cylinder + Hose Volume Oil Capacity x 1.3

### PE40/PE50/PE60 Series



### PE40/PE50 Series With Casters



Reservoir Size (L)	Dimensional Table (mm)								Pump Weight by Series* (kg)			
	A	B	C	D	E	F	G	H	PE30	PE40	PE50	PE60
3.8	323	262	485	119	145	305	206	315	27.7	-	-	-
7.6	424	305	455	152	175	335	114	315	34.0	32.7	-	-
11.4	424	305	500	183	208	267	114	315	38.1	36.7	41.3	-
18.9	424	305	630	312	335	394	114	315	-	46.3	50.8	47.3
37.9	531	419	800	483	505	566	211	419	-	83.5	88.0	-
56.8	531	419	879	561	587	645	211	419	-	115.7	120.2	76
94.6	650	541	879	561	587	645	269	541	-	164.2	168.7	-

\* Pump weights include oil.

## Single Phase Pump Matrix Chart

If you don't see a pump that would fit your application needs, you can custom build a pump to your desired specifications. Use this Pump Matrix Chart as a guide for creating your very own custom built Electric Pump. For assistance in building your pump, call your local BVA Representative.

**P** **E** **30** **S4L** **02** **A**

1	2	3	4	5	6
Product Type	Motor Type	Flow Group	Valve Type /Operation	Reservoir Size	Voltage

### 1 - Product Type

**P** Pump

### 2 - Motor Type

**E** Induction Electric Motor, TEFC

### 3 - Flow Group

<b>30</b>	293/18 in3/min @ 350//700 BAR, ½ Hp (0.37 kN)
<b>40</b>	311/37 in3/min @ 700//700 BAR, 1 Hp (0.75 kN)
<b>50</b>	476/61 in3/min @ 700//700 BAR 1.5 Hp (1.12 kN)
<b>60</b>	6.3/1.22 L/min @ 48//700 BAR,3 Hp (2.24 kN)

### 4 - Valve Type/Operation

<b>CMR</b>	Pump Mounted Manifold Block - Pressure & Return Ports Only
<b>M2N</b>	Manual Valve 3W/2P
<b>M3N</b>	Manual Valve 3W/3P
<b>M4N</b>	Manual Valve 4W/3P
<b>M3L</b>	Manual Valve 3W/3P w/Locking Plate
<b>M4L</b>	Manual Valve 4W/3P w/Locking Plate
<b>W2N</b>	Manual Valve 3W/2P w/10ft Motor Control Pendant
<b>W3N</b>	Manual Valve 3W/3P w/10ft Motor Control Pendant
<b>W4N</b>	Manual Valve 4W/3P w/10ft Motor Control Pendant
<b>W3L</b>	Manual Valve 3W/3P w/Locking Plate and 10ft Motor Control Pendant
<b>W4L</b>	Manual Valve 4W/3P w/Locking Plate and 10ft Motor Control Pendant
<b>S3N</b>	Solenoid Valve 3W/3P (Spool Type)
<b>S4N</b>	Solenoid Valve 4W/3P (Spool Type)
<b>S3L</b>	Solenoid Valve 3W/3P w/Locking Plate (Spool Type Valve)
<b>S4L</b>	Solenoid Valve 4W/3P w/Locking Plate (Spool Type Valve)

### 5 - Reservoir Size

<b>01</b>	1 Gallon / 3.8 L
<b>02</b>	2 Gallons / 7.6 L
<b>03</b>	3 Gallons / 11.4 L
<b>05</b>	5 Gallons / 19.4 L
<b>10</b>	10 Gallons / 38 L
<b>15</b>	15 Gallons / 56 L
<b>25</b>	25 Gallons / 95 L

### 6 - Voltage

<b>A</b>	120V 1 ph 50 Hz
<b>D</b>	230V 1 ph 50 Hz - European Plug



PE Series

### Ordering Example

**PE30M4N01D**

After reviewing this model number, we know that the pump has the following specifications:

- Electric power source
- ½ Hp (0.37 kN) flow group
- Manual Valve 4W/3P
- 1 gallon/3.8 L reservoir tank



PE30M4N01D



### Related Product: Gauges

Reduce the risk of overloading your product by using a gauge. A variety of graduations and types to suit any need. pg 65



### Related Product: Footpedals

These can be used with all pumps equipped with solenoid valves. pg 66



### Related Product: Hoses

We offer a variety of hoses, fittings, lengths and materials. pg 67



### Safety Instructions

Visit our DO'S and DON'TS section to review the best methods of operation. Always be prepared. pg 102

Not all options are available in all configurations. Table is for reference only. Please consult your local BVA dealer if you want to order a custom pump or if you have questions.



## 3-Phase Electric Pumps

### Electric Power Source



PE60M4N06W

- All hand pendants are wired with 24 VAC
- Quiet operation meets OSHA regulations (80dBA)
- 2 speed operation allows for faster cylinder advance
- Full load starting capacities
- Internal suction strainer keeps contamination from damaging pump
- Rugged durable design meets the demands of industrial applications
- Precision components to minimize wear and improve overall dependability
- Reservoirs equipped with sight level gauges
- PE60 Models are standard as 380 VAC 50 Hz

## 3-Phase Pump Matrix Chart

If you don't see a pump that would fit your application needs, you can custom build a pump to your desired specifications. Use this Pump Matrix Chart as a guide for creating your very own custom built Electric Pump. For assistance in building your pump, call your local BVA Representative.

**P | E | 60 | M4N | 06 | W**

<b>1</b>	<b>2</b>	<b>3</b>	<b>4</b>	<b>5</b>	<b>6</b>
<i>Product Type</i>	<i>Motor Type</i>	<i>Flow Group</i>	<i>Valve Type /Operation</i>	<i>Reservoir Size</i>	<i>Voltage</i>

### 1 - Product Type

P Pump

### 2 - Motor Type

E Induction Electric Motor, TEFC

### 3 - Flow Group

60 6300 cc/min @ 48 BAR  
1330 cc/min @ 700 BAR, 3.0 Hp

### 4 - Valve Type/Operation


M3N Manual Valve 3W/3P  
M4N Manual Valve 4W/3P  
W3N Manual Valve 3W/3P w. 10 ft Motor Control Pendant  
W4N Manual Valve 4W/3P w. 10 ft Motor Control Pendant

### 5 - Reservoir Size

06 6 Gallons

### 6 - Voltage


W 380-415V 3 ph 50 Hz



**Pressure Settings**  
Custom pressure settings available upon request. Contact your local BVA dealer.




**Safety Practices**  
Good industry practice recommends not exceeding 80% of maximum rated capacities of all our products.




**Pump Accessories**  
See the assortment of accessories designed to work with these pumps. pg 62



**Related Product: Gauges**  
Reduce the risk of overloading your product by using a gauge. A variety of graduations and types to suit any need. pg 65

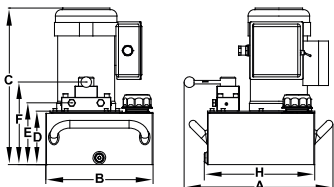


**Related Product: Hoses**  
We offer a variety of hoses, fittings, lengths and materials. pg 67



**Safety Instructions**  
Visit our DO'S and DON'TS section to review the best methods of operation. Always be prepared. pg 102

Model Number	Valve Type	Valve Function	Motor Voltage (volts)	Sound Level (dBA)	Motor Size (kW)	Usable Oil Capacity (L)	Pressure Rating (BAR)		Oil Output Flow Rate (L)		Current Draw (Amp)
							1 <sup>st</sup> Stage	2 <sup>nd</sup> Stage	1 <sup>st</sup> Stage	2 <sup>nd</sup> Stage	
380 Volt											
PE60M4N06W	Manual	4-Way 3-Position	380	80	2.24	22.7	48	700	6.3	1.33	4.5



Model Number	Dimensions (mm)							Weight (kg)
	A	B	C	D	E	F	H	
380 Volt								
PE60M4N06W	524	376	583	224	247	307	436	62