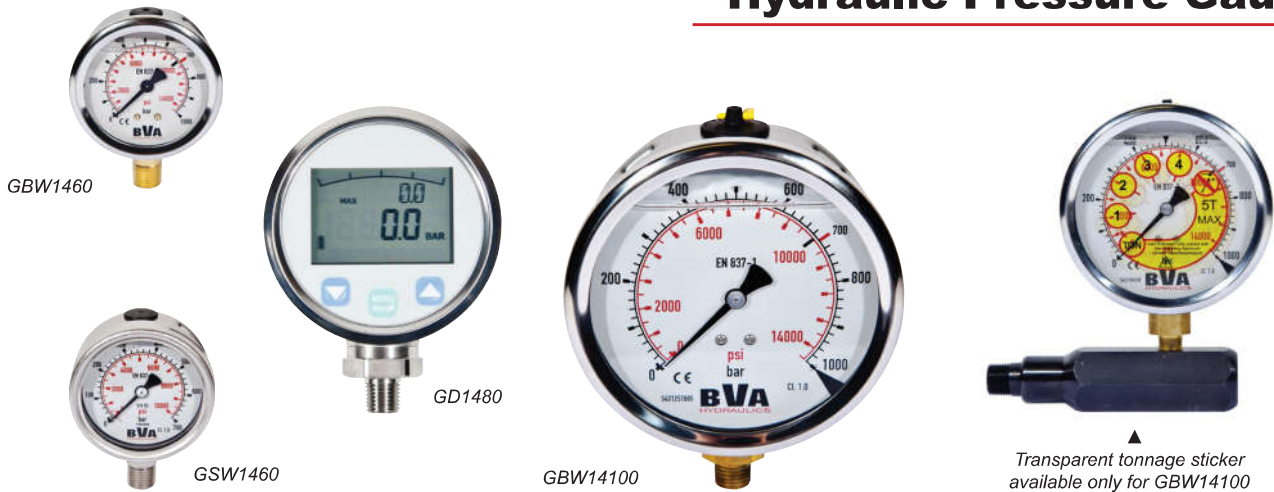


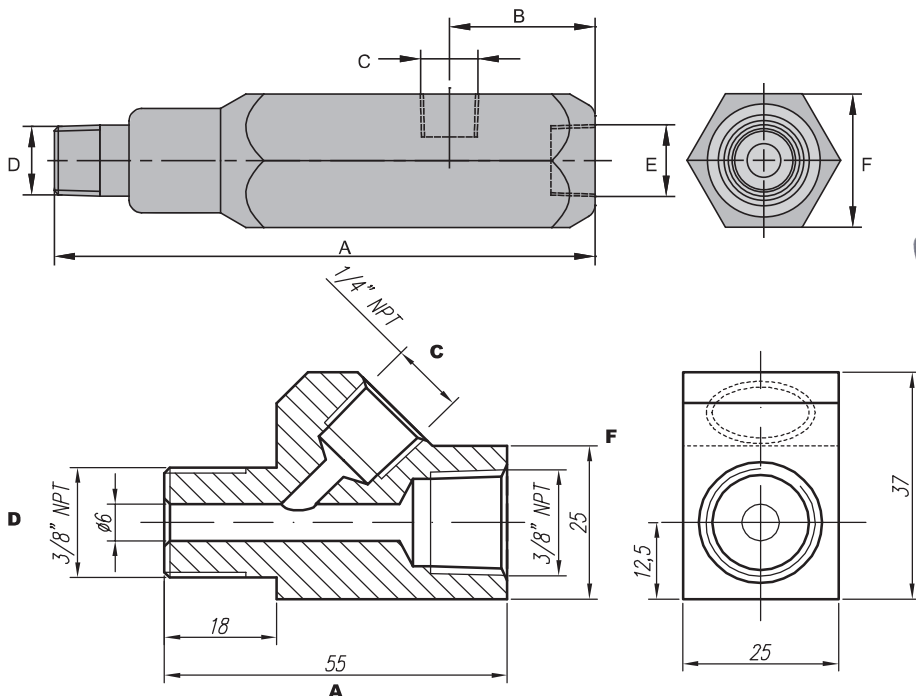
# Hydraulic Pressure Gauge



Model Number	Face Dia. (mm)	Thread (in)	Material	Pressure Range		Graduation			
				(psi)	(bar)	Major Graduation (psi)	Minor Graduation (psi)	Major Graduation (bar)	Minor Graduation (bar)
GBW1460	63	1/4"-18 NPTF	Stainless	0-15000	0-1000	1000	500	100	20
GBW14100	105	1/4"-18 NPTF	Brass	0-15000	0-1000	1000	500	100	20
GSW1460	63	1/4"-18 NPTF	Brass	0-10000	0-700	1000	500	100	20
GD1480	80	1/4"-18 NPTF	Stainless	0-10000	0-700	-	-	-	-

## Gauge Adapter

700 BAR Rated



Model Number	Dimensions (mm)					
	A	B	C	D	E	F
CF3814	130	35	1/4"-18NPTF	3/8"-18NPTF	3/8"-18NPTF	32
CF3814-F*	130	35	1/4"-18NPTF	3/8"-18NPTF	3/8"-18NPTF	32
CF3814-45	55	-	1/4"-18NPTF	3/8"-18NPTF	3/8"-18NPTF	25

\*CF3814-F = CF3814 with internal oil-filter

