

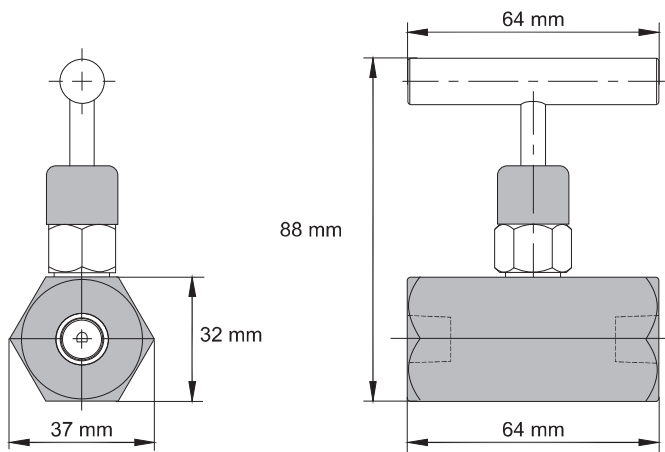


Flow Control Valves

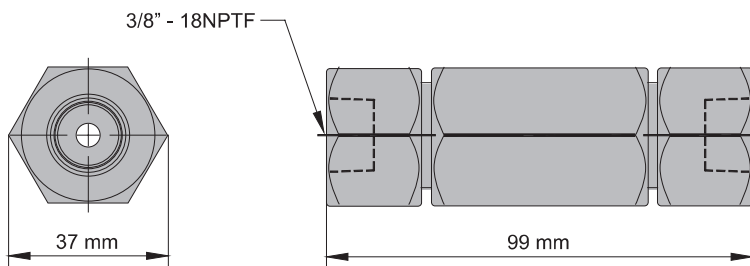
700 BAR Rated



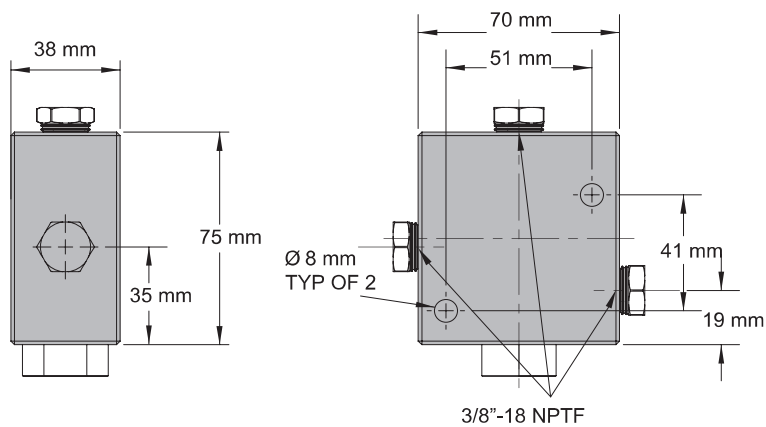
CVN1 and CVN3



CVC3



CVP3



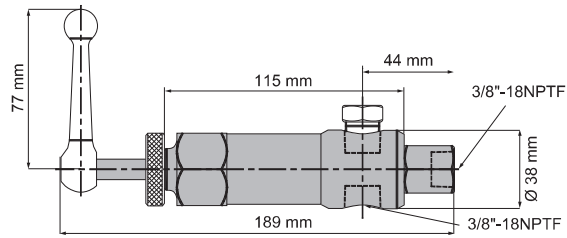
Valve Type	Model Number	Ports	Applications	Hydraulic Symbol
Needle Valve	CVN1	¼"-18NPTF	Controls cylinder speed and acts as temporary shut-off valve for load holding.	
	CVN3	⅜"-18NPTF		
Check Valve	CVC3	⅜"-18NPTF	Allows flow in one direction only.	
Pilot Operated Check Valve	CVP3	⅜"-18NPTF	Mounted in line with a cylinder which will hold pressure in the event of pressure loss in the system. Most often used on double-acting cylinders with pilot port, receiving pressure from a tee off of the cylinder retracting line. Pilot pressure ratio 15% or 6.5:1	

Flow Control Valves

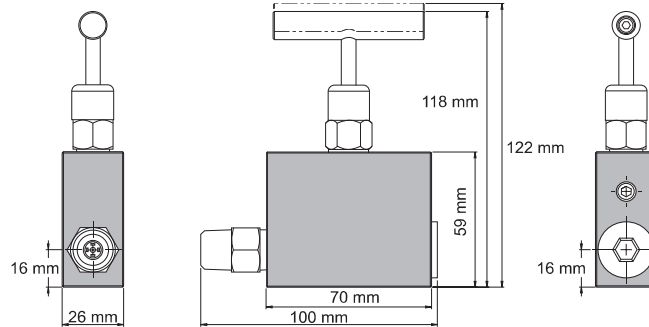
700 BAR Rated



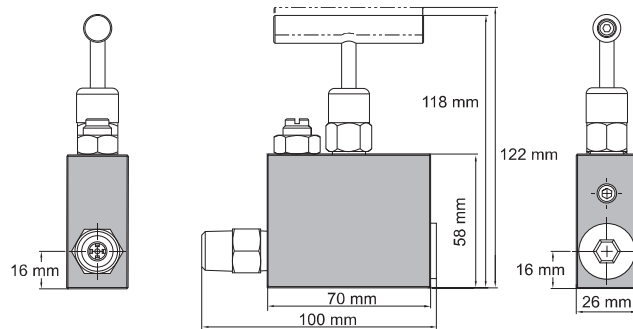
CVR3



CVL3



CVLS3



Valve Type	Model Number	Ports	Applications	Hydraulic Symbol
Pressure Relief Valve	CVR3	3/8"-18NPTF	Controls pressure developed by the pump in hydraulic loop. By-pass occurs when preset pressure reaches 0-10,000 PSI. Turn clockwise to increase pressure, counter-clockwise to decrease.	
	CVR3/H	3/8"-18NPTF	Same as CVR3, but return line hose / 1 meter length is included.	
Manual Operated Check Valve	CVL3	3/8"-18NPTF	Mounted in line with a cylinder and will hold pressure in the cylinder in the event of pressure loss in the system. Pressure is manually released.	
	CVLS3	3/8"-18NPTF	Mounted in line with a cylinder and will hold pressure in the cylinder in the event of pressure loss in the system. This model is equipped with high-pressure bypass. Pressure is manually released.	



Solenoid Valves

Pump Mounted

- Pump mounted solenoid kits convert your manual pump to an electrically controlled pump.



PWS3

Use With Cylinder	Model Number	Valve Type	Valve Function	Hydraulic Symbol	Schematic Flow path			Weight (kg)
Single Acting	PWS3	Solenoid 24 VDC	Advance/ Hold/Return					3.4
	PWS3L	-	Locking Plate					4.7
Double Acting	PWS4	Solenoid 24 VDC	Advance/ Hold/Return					3.9
	PWS4L	-	Locking Plate					5.2

Pressure Control Valve

PPC-1/PPC-2

- Modular valve with one or two cartridges.
- Excellent pressure adjustment over the entire operating range.



Valve	Model Number	Hydraulic Symbol
Pressure Control Valve	PPC-1	
	PPC-2	
Flow Control Valve	PFC	

Flow Control Valve

PFC

- Throttle check valves

Pump Mounted Manifold Block

CMR2

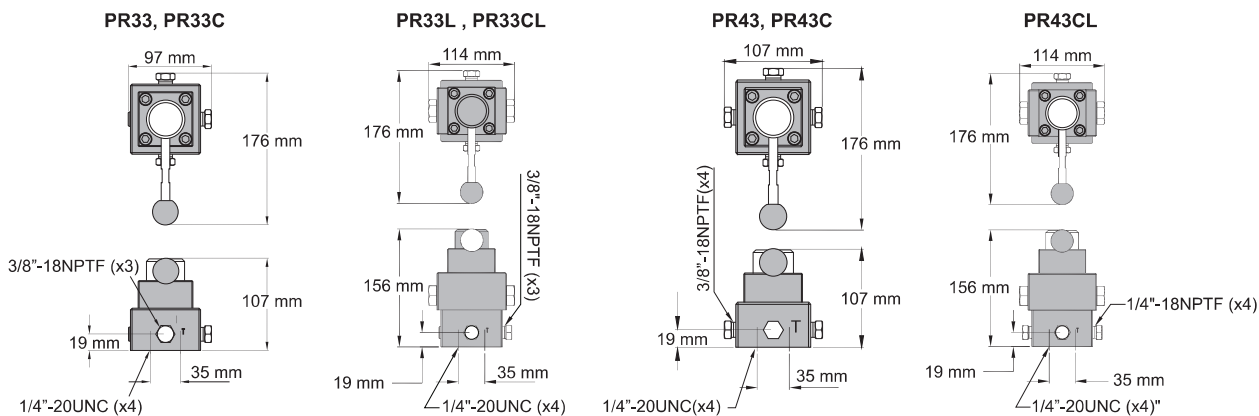
- Converts BVA pumps with mounted valves for use with remote mounted valves
- 4 mounting bolts



CMR2

Remote Mounted Directional Control Valves

Not to be used with Hand Pumps



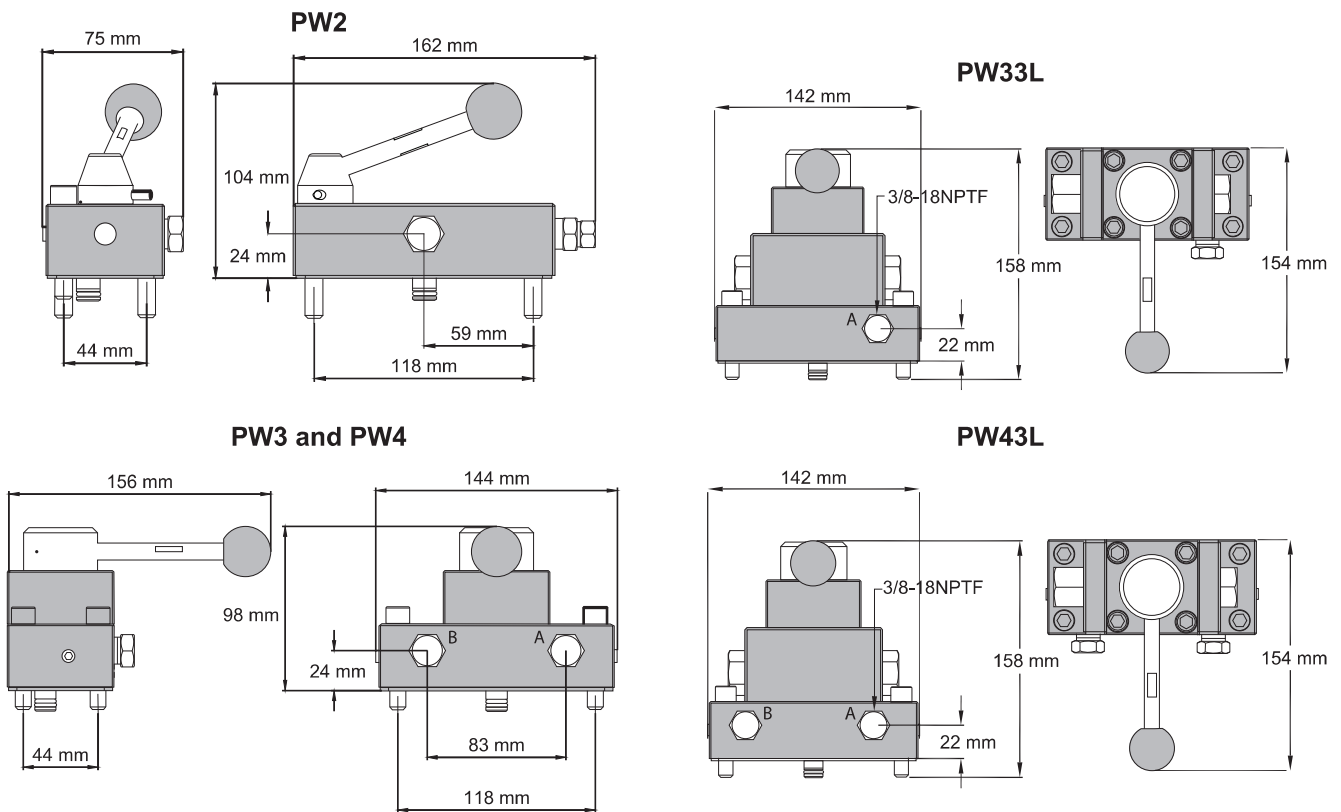
Valve Operation	Valve Type	Use w/ Cylinder	Model Number	Hydraulic Symbol	Schematic Flow path			Weight (kg)
Manual	3-Way, 3 Position, Tandem center	Single Acting	PR33					1.59
	3-Way, 3 Position, Closed center		PR33C					1.59
	3-Way, 3 Position, Tandem center, Locking		PR33L					2.59
	3-Way, 3 Position, Closed center, Locking		PR33CL					2.59
	4-Way, 3 Position, Tandem center	Double Acting	PR43					1.59
	4-Way, 3 Position, Tandem center, Locking		PR43L					2.59
	4-Way, 3 Position, Closed center		PR43C					1.59
	4-Way, 3 Position, Closed center, Locking		PR43CL					2.59

All valves have a detent in the center position.



Pump Mounted Valves

For PE, PG and PD Pumps Only



Valve Operation	Valve Type	Use w/ Cylinder	Model Number	Hydraulic Symbol	Schematic Flow path			Weight (kg)
Manual	3-Way, 2-Position	Single Acting	PW2				-	1.81
	3-way, 3-Position, Tandem center	Single Acting	PW3					1.81
	4-Way, 3-Position, Tandem center	Double Acting	PW4					1.36
	3-Way, 3-Position, Tandem center, Locking	Single Acting	PW33L					2.72
	4-Way, 3-Position, Tandem center, Locking	Double Acting	PW43L					2.72